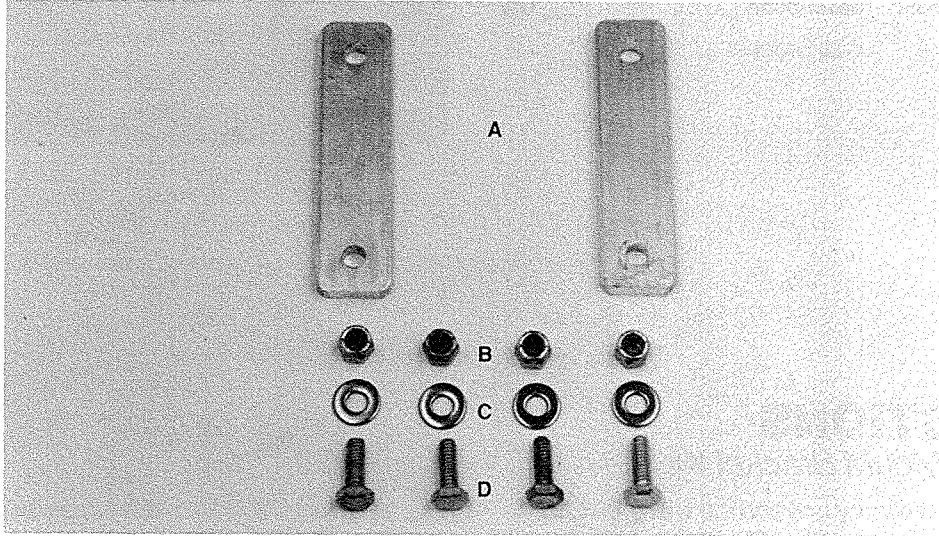


Super Erecta Optional Stop Kit

ASSEMBLY INSTRUCTIONS

LIST OF COMPONENTS

For Super Erecta Top-Track Stop Kit



Item	Description	Qty.	Item	Description	Qty.
A.	Stop	2	C.	Flat Washer	4
B.	Locknut	4	D.	Hex Head Bolt	4

ASSEMBLY INSTRUCTIONS

For Super Erecta Top-Track Stop Kit

The Stop Kit is to be used with the Wall Mount Kit. By attaching the stops to the tracks, the mobile units will not strike the wall.

1. Mount the stops to the track ends using the supplied hardware (Fig. 1).

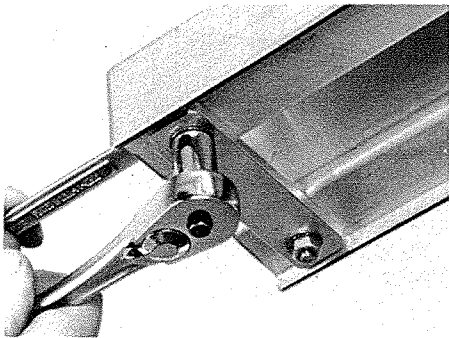


Fig. 1

2. After mounting the wall brackets to the wall surface, install the tracks to the brackets (Fig. 2).

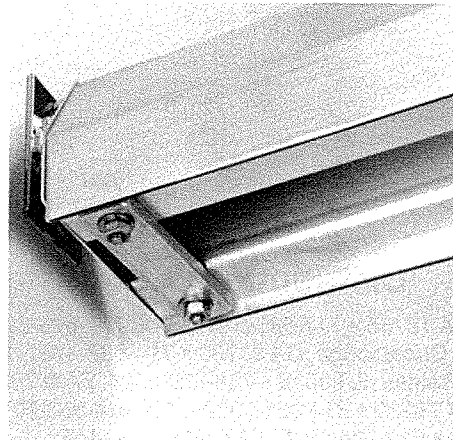


Fig. 2



InterMetro Industries Corporation
North Washington Street
Wilkes-Barre, PA 18705
(717) 825-2741

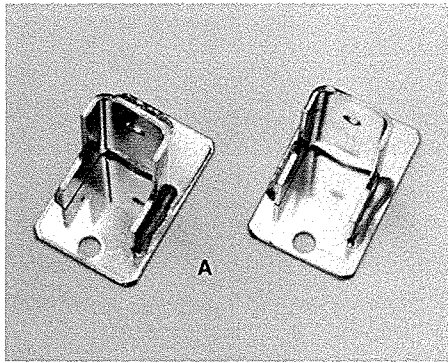
**ASSEMBLY
INSTRUCTIONS**
For Super Erecta
Top-Track Stop Kit

Super Erecta Top-Track Wall Mount Bracket Kit

ASSEMBLY INSTRUCTIONS

LIST OF COMPONENTS

For Super Erecta Top-Track Wall Mount Bracket Kit



Item	Description	Qty.
A.	Wall Bracket	2

ASSEMBLY INSTRUCTIONS

For Super Erecta Top-Track Wall Mount Bracket Kit

Brackets are to be used when attaching the track system to a vertical wall. Mounting hardware is not supplied with the brackets due to the varied types of walls these brackets may be mounted to. It is the responsibility of the user to make certain that the mounting surface and the method of mounting is suitable and sufficient to support the track system. Two $\frac{3}{8}$ diameter clearance holes are provided in each bracket.

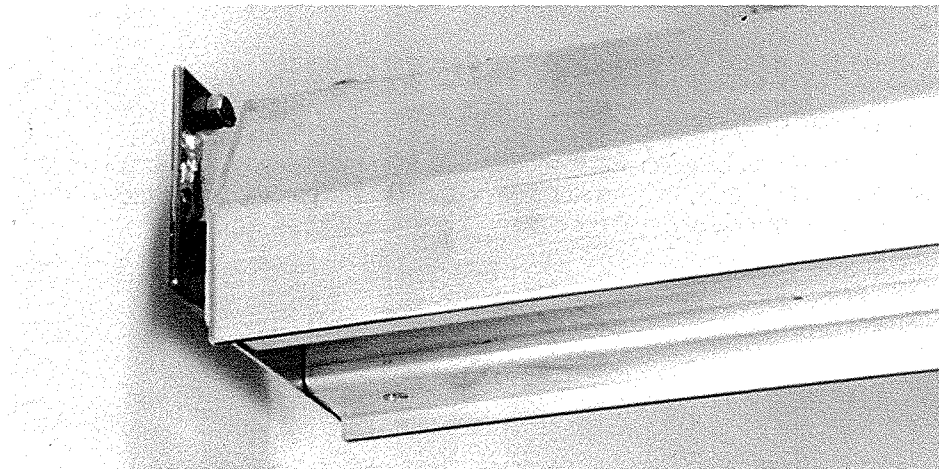
1. Attach the wall brackets to the track ends using the hardware supplied in the stationary end kit.

2. Mount the track lengths to the top track system. Level tracks and measure the distance between the track assemblies (front to back) at the

stationary unit and the wall end. Each dimension should match.

3. Scribe holes on the wall using the wall brackets as templates. Remove

brackets from tracks. Install brackets to the wall using the appropriate hardware. Then, mount tracks to wall brackets.



Distribution Centers

Pennsylvania/Headquarters: Wilkes-Barre, PA 18705 • 717-825-2741 FAX: 717-825-2852

California: 9393 Arrow Highway, P.O. Box 747, Cucamonga, CA 91730 • 714-987-4731 FAX: 714-989-6637

Illinois: 2303 South Mt. Prospect Road • Des Plaines, IL 60018 • 708-298-2424 FAX: 708-298-2429

Texas: 2505 Willowbrook, Suite 209, Dallas, TX 75220 • 214-358-5362 FAX: 214-353-9016

Georgia: 1500 Pope Drive, Douglas, GA 31533 • 912-384-6040 FAX: 912-384-1443

Canada: Metropolitan Wire (Canada) Ltd., 3155 Orlando Drive, Mississauga, Ont., Canada L4V 1C5 • 416-676-9890 FAX: 416-676-9262



InterMetro Industries Corporation
North Washington Street
Wilkes-Barre, PA 18705
(717) 825-2741

**ASSEMBLY
INSTRUCTIONS**
For Super Erecta Top-Track
Wall Mount Bracket Kit