



Overhead Cup Storage Unit
Store, Separate, and Sort Cups.

Store Separate & Sort.



Store, Separate, and Sort Cups.

The Overhead Cup Storage Unit organizes and efficiently stores to-go cups in one small footprint. This overhead solution makes the perfect addition to any work station making use of valuable and underutilized wall space. This wall unit will help save valuable space in the back-of-house and keep cups visible and within arms reach.

The easy order part number includes everything pictured and ships in one box!
Props are not included



Pictured: CR2430OHC

Part #	Description	Nominal D x W x H (in.) (mm)	
CR2430OHC	24x30 Overhead Cup Storage Unit	24x30x30	610x762x762



Overhead Cup Storage Unit

Store, Separate, and Sort Cups

Streamline order assembly with the Metro® Overhead Cup Storage Unit. The unit comes equipped with three removeable dividers and one adjustable horizontal divider to keep cups of any size organized.

Wall Mount Brackets mount directly to the wall and provide a stable surface to support a wire shelf, putting the shelf load rating at 200 lbs. (91kg).

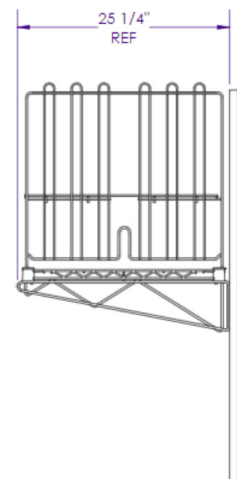
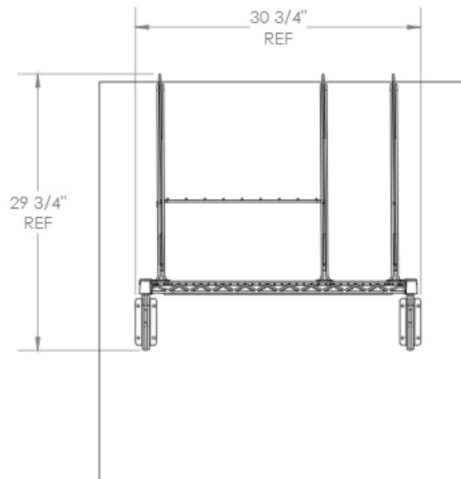
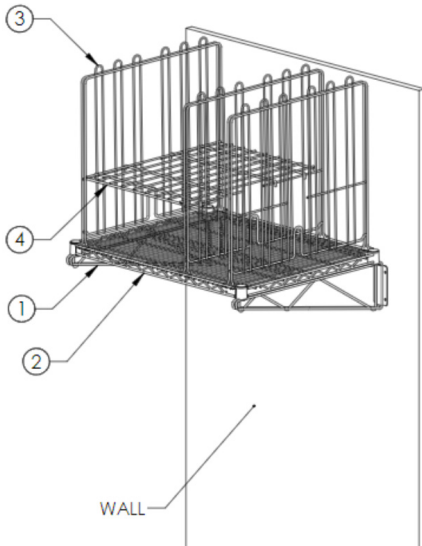
User should select wall bolts and screws according to the wall type to attach the brackets.

Add an Overhead Cup Storage Unit to any work area to optimize space and keep cups accessible.



Ships in One Box!

Part #	Description	Nominal D x W x H (in.) (mm)	
CR2430OHC	24x30 Overhead Cup Storage Unit	24x30x30	610x762x762



CR2430OHC Consists of:

Item #	Qty	Part #	Description
1	2	1WD24C	24" WALL MOUNT BRACKET
2	1	2430NC	24" X 30" WIRE SHELF
3	3	DD24C-21H	24" SHELF DIVIDER
4	1	DD7317D	18" HORIZONTAL DIVIDER

Visit www.metro.com or call 1-800-992-1776.

L11-011 6/20

© 2020 InterMetro Industries Corporation, Wilkes-Barre, PA 18705



We put space to work.®

an Ali Group Company



The Spirit of Excellence