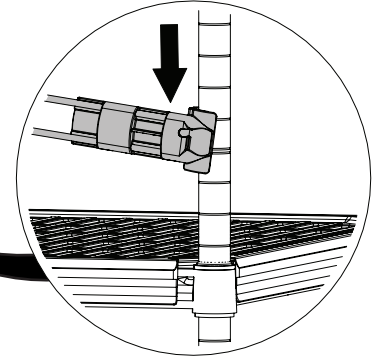
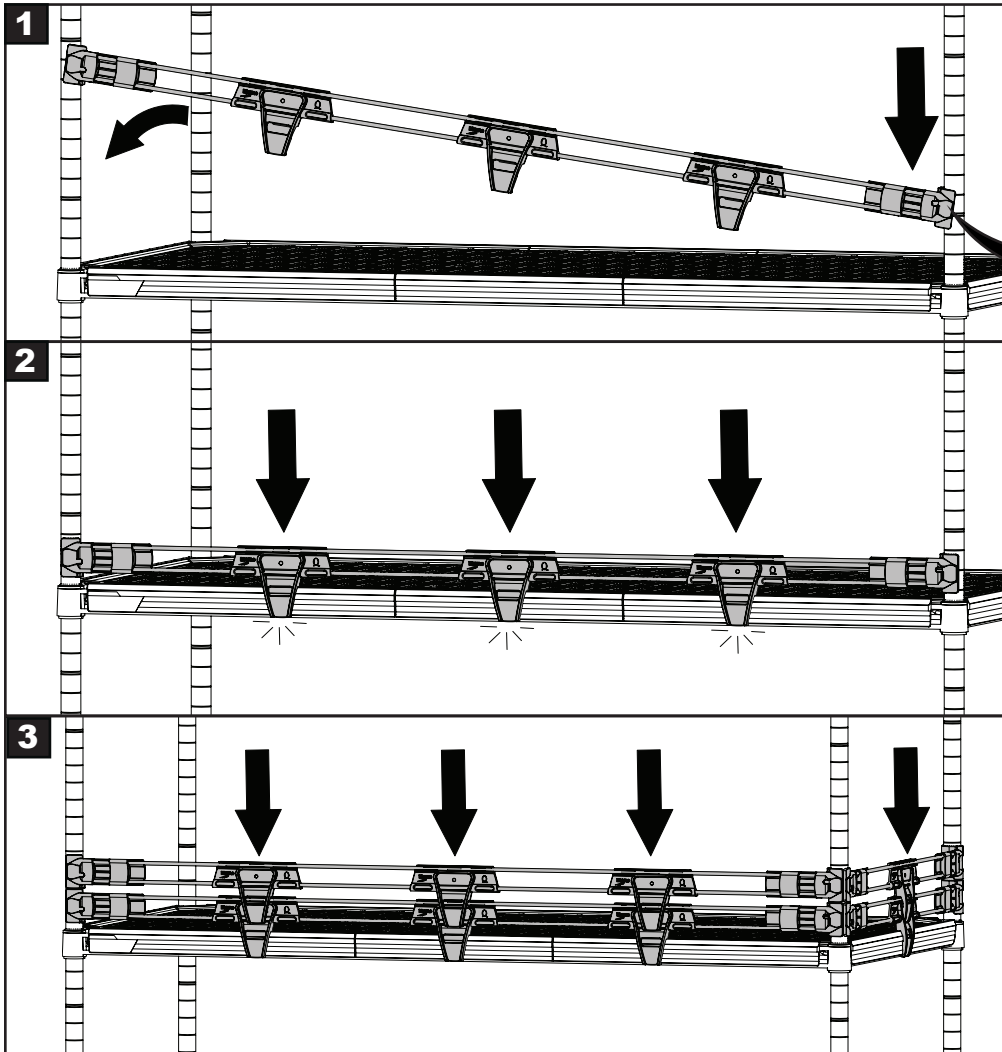




# INSTRUCTIONS FOR USE

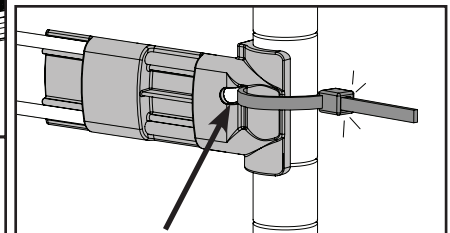
We put space to work.

## SUPER ERECTA PRO LEDGE



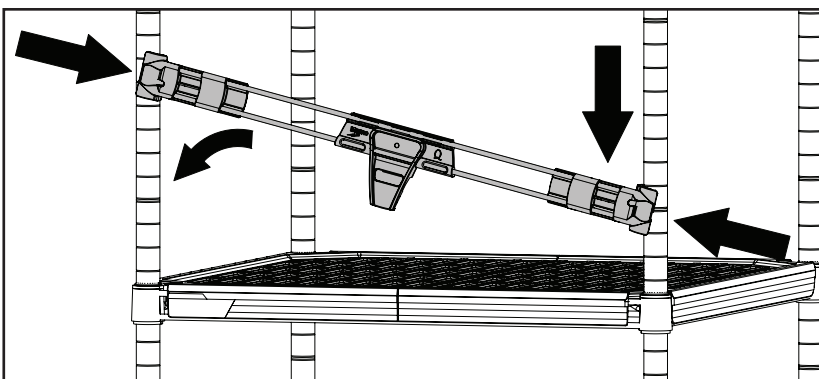
### ! IMPORTANT

Ledges are designed to mount on shelving units with four posts. End clips must engage the posts.



For additional reinforcement, the **hole** near the end of the end clip allows the ledge to be further reinforced with a zip tie. Zip ties are **optional** and not supplied.

### ! 24" Ledge (Part # PRL24-2S)



**Note:** PRL24-2S can be adjusted to fit shelves that are nominally 24" in depth or 24" in length.

Out of the box, the 24" ledge is sized to install along the shelf depth (front-to-back). To install along the shelf length push the end clips inward to make the ledge shorter.

