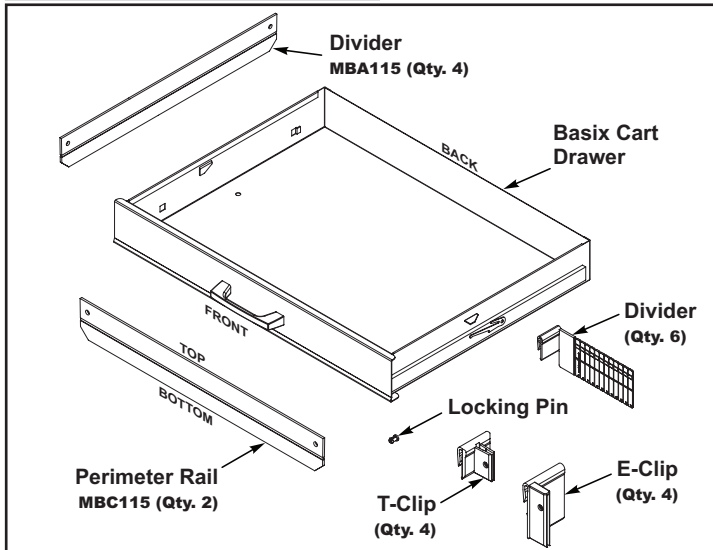


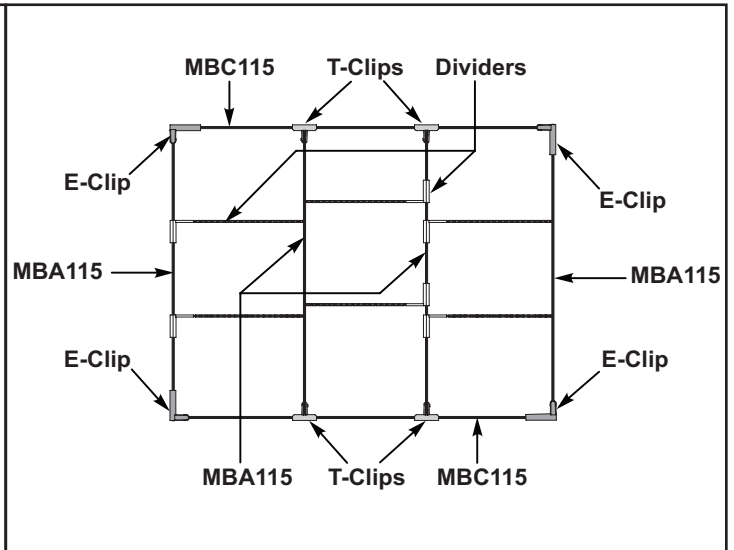
# INSTRUCTIONS FOR USE

## MBC113 BASIX CART DRAWER KIT

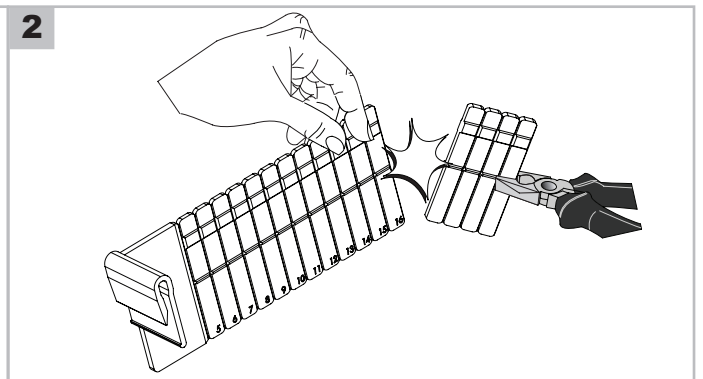
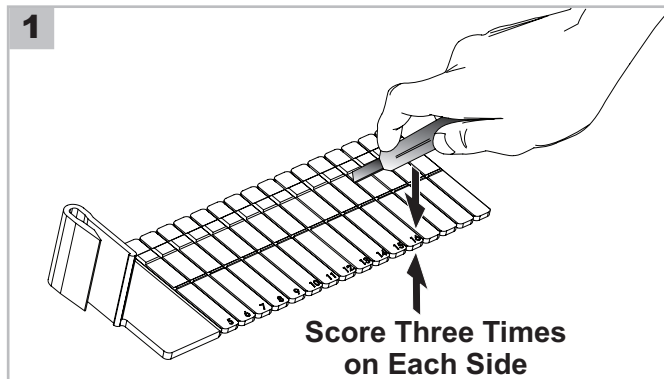
### IDENTIFY THE PARTS



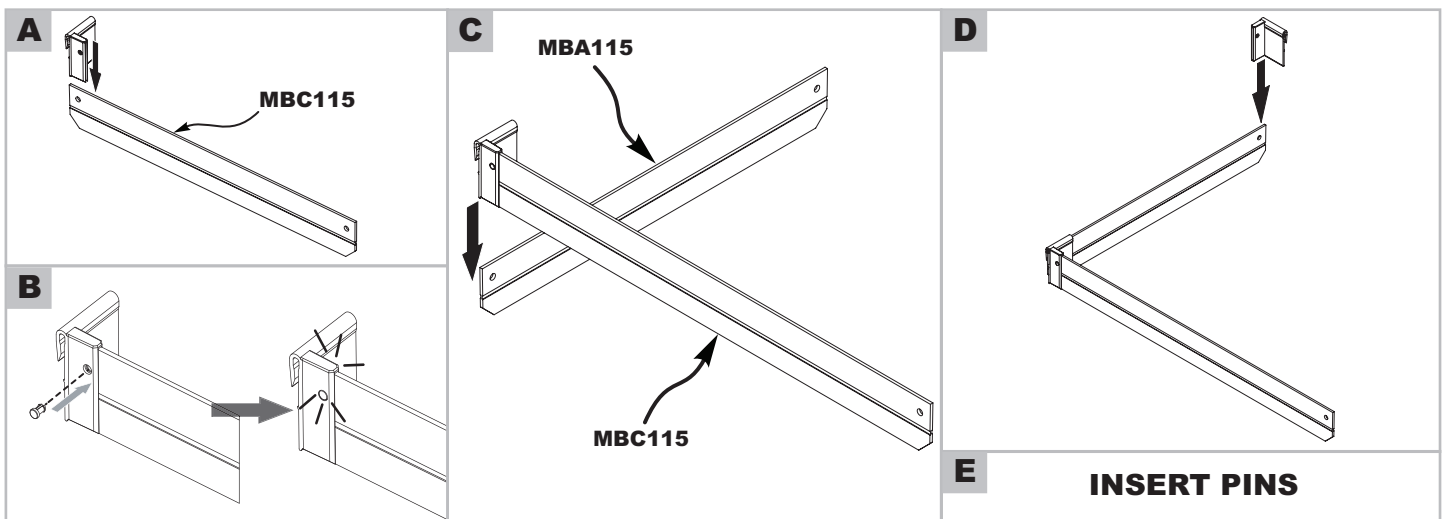
### DRAWER KIT SET-UP



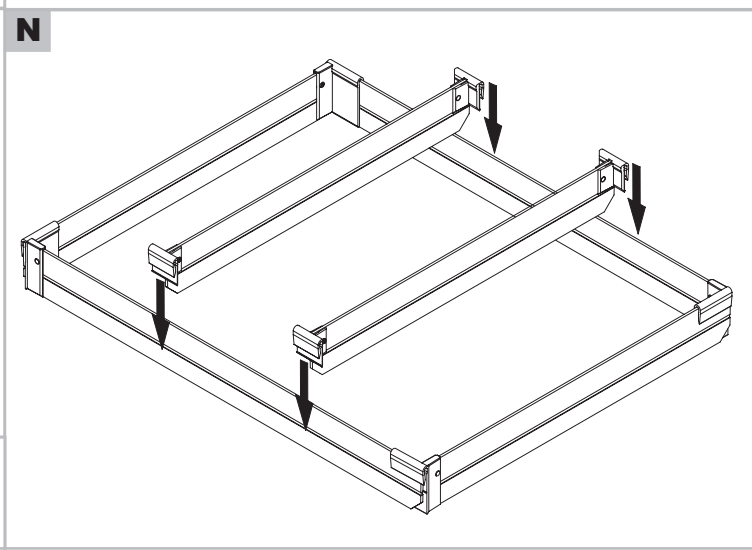
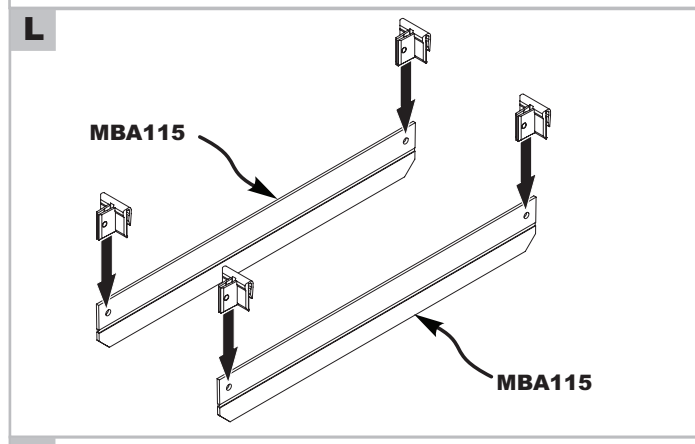
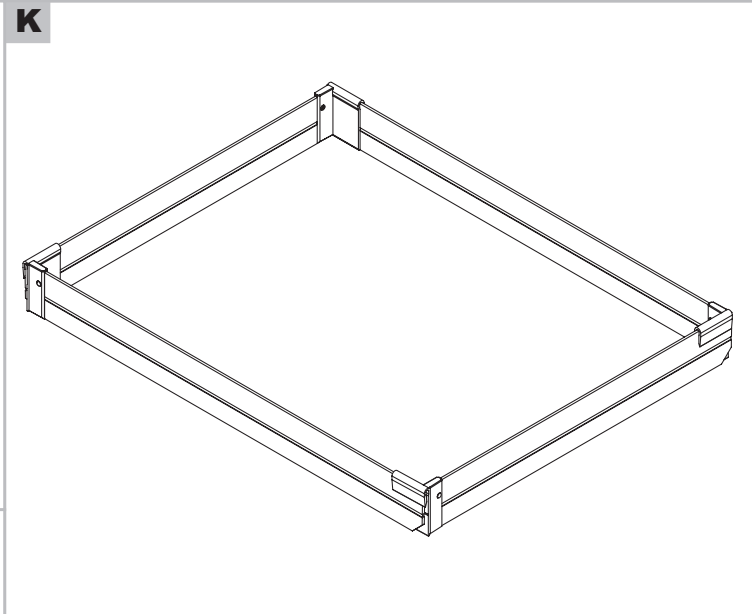
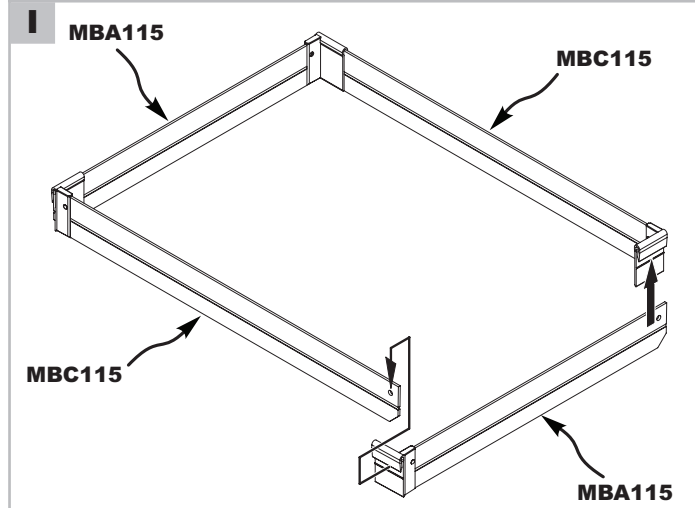
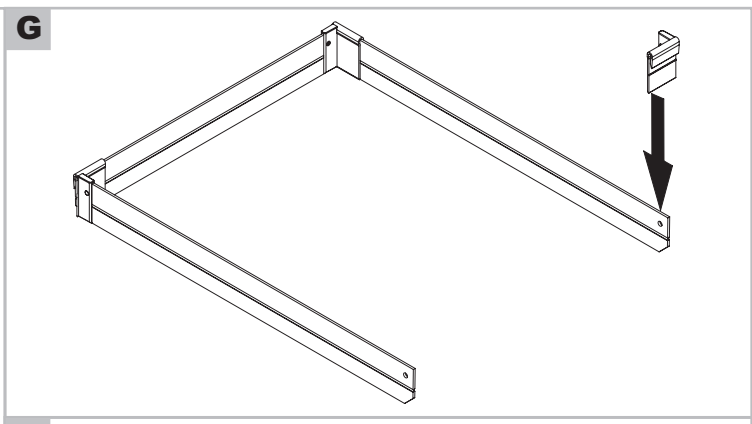
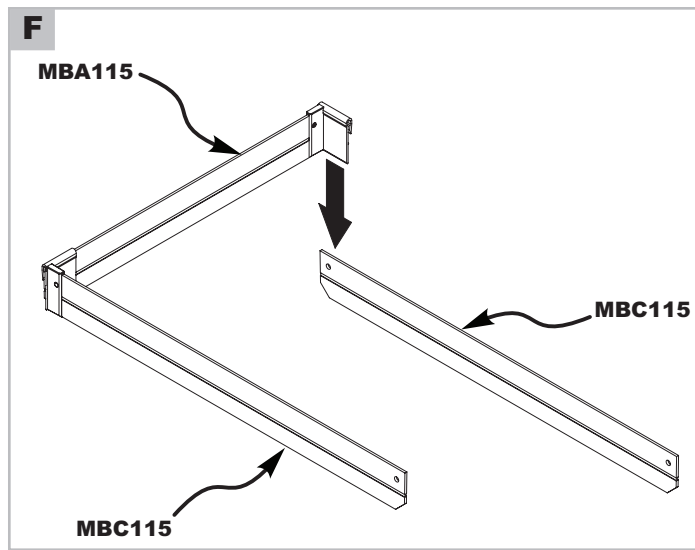
### SCORE THE DIVIDER TABS AS PER SET-UP



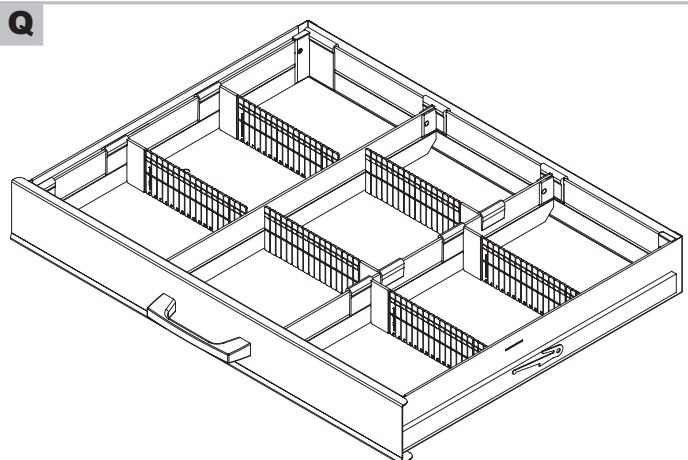
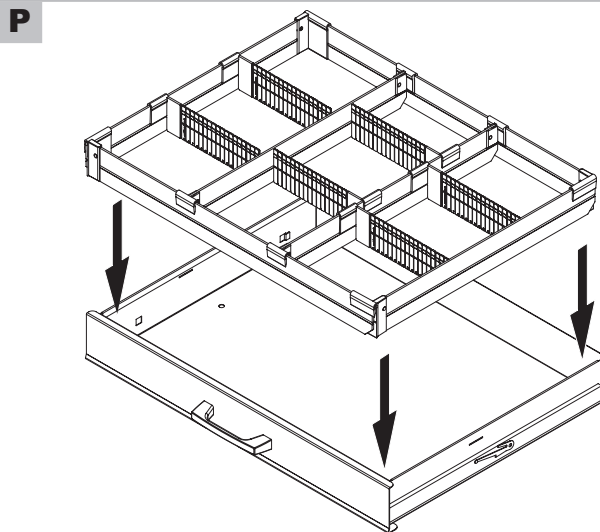
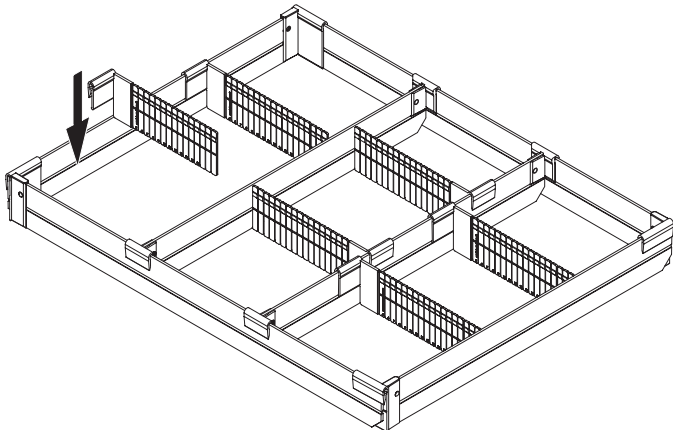
### STEPS TO ATTAIN ABOVE DRAWER KIT SET-UP



# MBC113 BASIX CART DRAWER KIT

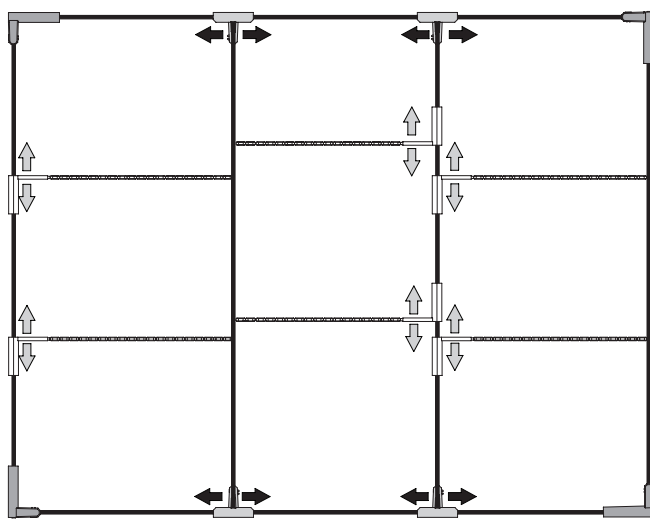


**O**      **REFER TO PAGE 1 FOR  
SCORING THE DIVIDER TABS**



**THIS COMPLETES THE  
ASSEMBLY OF MBC113  
DRAWER KIT**

**ADJUSTABLE DRAWER KIT**



**NOTE:** *All the parts are fully adjustable and removable if different set-ups are required in Basix Cart drawers.*

\*Save this document for future application, load rating and/or safety reference.



**InterMetro Industries Corporation**  
 North Washington Street, Wilkes-Barre, PA USA 18705  
 For Product Information Call: **1-800-992-1776**  
 Visit Our Web Site: **www.metro.com**

INSTR-MBC113  
11/2012

Information and specifications are subject to change without notice. Please confirm at time of order.