

400-600-800 MEDICATION CARTS



DESCRIPTION

400-600-800 Medication Carts – This instruction sheet covers. Read the descriptions carefully to ensure desired part is ordered for replacement.

Service Documentation - Do not leave with customer.

NOTICE

InterMetro Industries Corporation reserves the right to make improvements or changes to the products described in this manual at any time without notice.

While reasonable efforts have been made in the preparation of this document to assure its accuracy, InterMetro Industries Corporation assumes no liability resulting from any errors or omissions in this document, or from the use of the information contained herein.

COPYRIGHT NOTICE:

This manual is copyrighted. All rights reserved. This manual may be printed for personal use only. This manual, whole or in part, may not be copied, photocopied, reproduced, translated, or reduced to any electronic medium or machine-readable form for distribution. This manual, whole or in part, may not be modified without prior consent, in writing, from InterMetro Industries Corporation.

Copyright © 2023 by InterMetro Industries Corporation, 651 North Washington Street, Wilkes-Barre, PA 18705, U.S.A.

PLEASE NOTE:

This illustrated parts catalogue is issued on condition that it is used only for the disassembly/assembly, identification of replacement parts in 400-600-800 Medication Carts and is **NOT** disclosed to third parties except with the consent of InterMetro Industries Corporation.

PUBLISHED AS:

Document No: L01-486

INTERMETRO CUSTOMER SERVICE

InterMetro Industries Corporation Contact Information

**InterMetro Industries Corporation
651 North Washington Street
Wilkes-Barre, PA 18705**

For Information on iMed Products, Call: 1-800-992-1776

InterMetro Customer Service

For all other customer service related issues, or if you need technical assistance, please call our customer service department at:

1-800-992-1776	Americas
+31 76 58 77550	Europe
+9714 811 8286	Middle East
+65 6567 8003	Asia-Pacific

REVISION HISTORY

Rev./Issue	Revision Description	Date	Approved By
Rev A	Initial Release		Cedric Carlton
Rev B	Added and Updated new Part No. and Drawing No.. Added RP Kit Part No. Revision Bar added to represent new Part No. as affected by CRN changes.	07/18/2017	Scott Miller
Rev C	Affected by CRN: CRN 17-119 CRN 17-160 CRN 16-130 CRN 17-170 CRN 18-003 CRN 18-005 Lionville Keys and Cores	02/23/2018	Tim Romantic
Rev D	Affected by CRN: CRN 18-062	05/09/2018	Tim Romantic
Rev E	Affected by CRN: CRN 19-073 CRN 19-048	05/10/2019	Tim Romantic
Rev F	Affected by CRN: CRN 19-104	06/12/2019	Tim Romantic
Rev G	Updated the front Pictures for latest Electronic Locks And change in new template.	09/30/2020	Tim Romantic
Rev H	Affected by CRN: CRN 20-189	11/03/2020	Tim Romantic
Rev J	Affected by CRN: CRN 21-151	08/24/2021	Tim Romantic
Rev K	Affected by CRN: CRN 21-205.	10/28/2021	Tim Romantic
Rev L	New RP's are added on page# 48 & 49	12/14/2021	Tim Romantic
Rev M	Affected by CRN: CRN 23-060	03/31/2023	Tim Romantic

TABLE OF CONTENTS

	Pg No.
Revision History.....	3
Table of Contents	4
List of Figures.....	4
A. 400/800 CART ASSEMBLY WITH PULL OUT RACK	5
A. 400/800 Cart Assembly with Pull Out Rack - Part Reference.....	6
A. 400/800 Cart Assembly with Pull Out Rack - RP Kit.....	8
B. 400/800 CART ASSEMBLY WITH PULL OUT RACK	13
B. 400/800 Cart Assembly with Pull Out Rack - Part Reference.....	14
B. 400/800 Cart Assembly with Pull Out Rack - RP Kit.....	16
C. 400L/600 & 400R/800 CASSETTE LATCH ASSEMBLY.....	18
C. Long 400/600 & Short 400/800 Cassette Latch Assembly - Part Reference.....	19
C. Long 400/600 & Short 400/800 Cassette Latch Assembly - RP Kit.....	20
D. 400/800 CHASSIS ASSEMBLY.....	21
D. 400 Cart Chassis Assembly - Part Reference	22
D. 400 Cart Chassis Assembly - RP-Kit.....	23
E. 600 CART STANDARD ASSEMBLY (10-TIER, 9-TIER).....	24
E. 600 Cart Standard Assembly - Part Reference.....	25
E. 600 Cart Standard Assembly - RP Kit.....	27
F. 600 CART STANDARD ASSEMBLY (10-TIER, 9-TIER).....	31
F. 600 Cart Standard Assembly - Part Reference.....	32
F. 600 Cart Standard Assembly - RP Kit.....	33
G. 600 CART STANDARD ASSEMBLY AND CHASSIS ASSEMBLY (10-TIER, 9-TIER).....	34
G. 600 Cart Standard Assembly and Chassis Assembly - Part Reference.....	35
G. 600 Cart Standard Assembly and Chassis Assembly - RP Kit.....	36
H. 600 CART DRAWER LATCH ASSEMBLY (10-TIER, 9-TIER).....	39
H. 600 Cart Drawer Latch Assembly - Part Reference.....	40
H. 600 Cart Drawer Latch Assembly - RP Kit.....	41
I. LIONVILLE SERIES LOCKS AND KEYS 400, 600, 800 AND IPOINT CARTS	42
J. 400-600-800 MEDICATION CART OPTIONS AND ACCESSORIES	43
K. OTHER REPLACEMENT PARTS.....	47

LIST OF FIGURES

	Pg No.
Figure 1: 400/800 Cart Assembly with Pull Out Rack.....	5
Figure 2: 400/800 Cart Assembly with Pull Out Rack.....	13
Figure 3: 400L/600 & 400R/800 Cassette Latch Assembly.....	18
Figure 4: 400/800 Chassis Assembly.....	21
Figure 5: 600 Cart Standard Assembly (10-Tier, 9-Tier)	24
Figure 6: 600 Cart Standard Assembly (10-Tier, 9-Tier)	31
Figure 7: Standard Assembly and Chassis Assembly 600 Cart.....	34
Figure 8: 600 Cart Drawer Latch Assembly (10-Tier, 9-Tier)	39

A. 400/800 CART ASSEMBLY WITH PULL OUT RACK

Refer to Pages 6-11 for Replacement Part Numbers, Description and Part Numbers

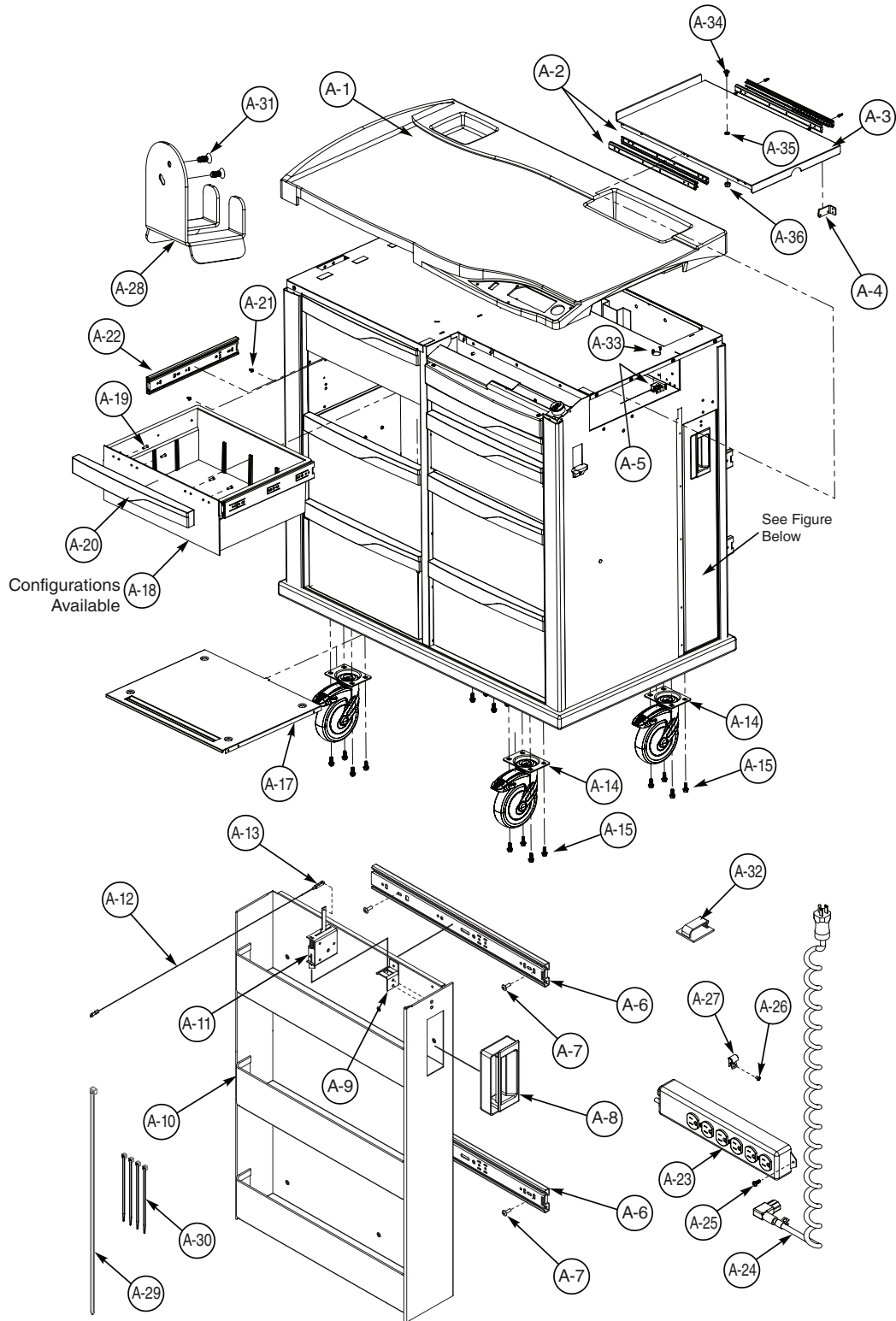


FIGURE 1: 400/800 CART ASSEMBLY WITH PULL OUT RACK

A. 400/800 Cart Assembly with Pull Out Rack - Part Reference

Index #	Description	Quantity	Part No. / Drawing No.
A-1	400 Top Cover with Sendec or LA6	1	C06-1221 / 29703
	400 Top, HDWE, LT Taupe	1	C06-1221 / 29703
	400, Top, W/Chute HDWE, LT Taupe	1	C06-1221CH / 29703
	800 Top Cover with Sendec or LA6	1	C06-1223 / 29702
	800, Top, HDWE, LT Taupe	1	C06-1223 / 29702
	800, Top, W/Chute HDWE, LT Taupe	1	C06-1223CH / 29702
A-2	400-600 Carts Slide	1 (PR)	32376 / 27663-LMF
	800 Carts Slide	2 (EA)	32376 / 27663-LMF
A-3	Long Sliding Tray	1	C11-952 / 27257-LMF
A-4	Bracket, Sliding Tray Roller	1	32494 / 27694-LMF
A-5	Drawer/Roller Catch	1	36381 / 27222-LMF
A-6	16" Drawer Slide	1	21572 / 27706-LMF
A-7	#8-32 x .500 Long Phillips Truss Head Screw	8	F04-495 / N/A
A-8	Pocket Pull	1	35059 / 27575-LMF
A-9	Slide Out Rack Striker	1	32119 / 27492-LMF
A-10	Sliding Rack	1	C11-943 / 27233-LMF
A-11	Rack Lock Assembly	1	32120 / 27615-LMF
A-12	Rack Lock Cable Assembly	1	32142 / 27658-LMF
A-13	Clevis Cable	1	32116 / 27708-LMF
A-14	5" Swivel Caster	3	21775 / 27640-LMF
	5" Swivel Caster	3	C02-398 / 29883
	Caster, MED 400 600	3	C02-398 / 29883
	Caster, MED 800	2	C02-404 / 80190
A-15	1/4-20 x 5/8 Hexagonal Washer Screw	16	F04-390 / N/A
A-16	5" Swivel Lock Caster	1	09520 / 27641-LMF
	5" Swivel Lock Caster	1	C02-397 / 29882
	Caster, MED 400 600 800	1	C02-397 / 29882
A-17	All Drawer Configuration (Applicable to 600, 800 Carts)	1	30122 / 30122
	All Drawer Configuration (Applicable to 400 Cart) (NOTE: All drawers used on both sides. There is one on each side to fill gap space usually.)	2	30122 / 30122
A-18	1-Tier Storage Drawer	1	30216 / 27342-LMF
	2-Tier Storage Drawer	1	30217 / 27343-LMF
	3-Tier Storage Drawer	1	30218 / 27344-LMF
A-19	#8-16 x 0.500 Phillips Pan Head Screw Plastite	4	F04-477 / N/A

400-600-800 MEDICATION CARTS — ILLUSTRATED PARTS CATALOG

Index #	Description	Quantity	Part No. / Drawing No.
A-20	Handle, Storage Drawer, Stone	3	35019-S / 27049-LMF
	Handle, Storage Drawer, Coral	3	35019-C / 27049-LMF
	Handle, Storage Drawer, Denim	3	35019-D / 27049-LMF
	Handle, Storage Drawer, Willow	3	35019-W / 27049-LMF
A-20	Handle, Storage Drawer, Cobalt Blue	3	LMDPM-CB
	Handle, Storage Drawer, Slate Blue	3	LMDPM-SB
	Handle, Storage Drawer, Green	3	LMDPM-GR
	Handle, Storage Drawer, Taupe	3	LMDPM-TPE
	Handle, Storage Drawer, Violet	3	LMDPM-VL
A-21	#8-32 x .25 Long CR-PHMS (Nylock Patch on Threads)	4	F04-492 / N/A
A-22	12" Full Extension Slide	4	21574 / 27330-LMF
A-23	18" Power Strip	1	34116 / 34116
A-24	Power Solution Coil Cord	1	C13-976 / N/A
A-25	#10-32 x 1/2 Phillips PAN SEMS Screw (RoHS)	2	F04-385 / N/A
A-26	#8 x 3/8 Phillips PAN Head Metal Screw	4	F04-052 / N/A
A-27	Cable Clamp	10	34126 / 34126
A-28	Power Cord Hanger	1	C09-821 / N/A
A-29	14" Cable Tie	1	35225 / 35225
A-30	Wire Clamp	3	07876 / 07876
A-31	#6-32 x .312 Phillips Flat Head Screw (RoHS)	2	9000030605 / N/A
A-32	Cable Clamp	1	36005-1 / 36005
A-33	#4-40 x .25 Long Cross Phillips Head Machine Screw	2	F04-409 / N/A
A-34	1/4-20 x 3/8 Phillips Pan Head Screw	1	F04-174 / N/A
A-35	Nylon Washer	1	32243 / 27553-LMF
A-36	1/4-20 Self Lock Elastic Stop Nut	1	F02-018 / N/A

A. 400/800 CART ASSEMBLY WITH PULL OUT RACK - RP KIT

RPC06-1221: Replacement 400 Top, HDWE, Light Taupe

Index #	Description	Quantity	Part No. / Drawing No.
A-1	400 Cart Top, No Chute, Light Beige	1	C06-1221 / 29703
	Rivet Nylon	4	F07-186 / 80050
	Top Mat, 400, Clear Vinyl	1	C06-1282 / 80097
	Tape	0	36008 / 36008

RPC06-1328: Replacement 400 Top, HDWE, Light Taupe E-Lock

Index #	Description	Quantity	Part No. / Drawing No.
A-1	400 Cart Top, No Chute, Light Beige	1	C06-1328 / D80637
	Rivet Nylon	4	F07-186 / 80050
	Top Mat, 400, Clear Vinyl	1	C06-1282 / 80097
	Tape	0	36008 / 36008

RPC06-1223: Replacement 800 Top, HDWE, Light Taupe

Index #	Description	Quantity	Part No. / Drawing No.
A-1	800 Cart Top, No Chute, Light Beige	1	C06-1223 / D29702
	Rivet Nylon	4	F07-186 / 80050
	Top Mat, 800, Clear Vinyl	1	C06-1284 / 80099
	Tape	0	36008 / 36008

RPC06-1330: Replacement 800 Top, HDWE, Light Taupe E-Lock E-Lock

Index #	Description	Quantity	Part No. / Drawing No.
A-1	800 Cart Top, No Chute, Light Beige	1	C06-1330 / D80639
	Rivet Nylon	4	F07-186 / 80050
	Top Mat, 800, Clear Vinyl	1	C06-1284 / 80099
	Tape	0	36008 / 36008

RPC06-1221CH: Replacement 400 Top, Waste Chute, HDWE, Light Taupe

Index #	Description	Quantity	Part No. / Drawing No.
A-1	400 Cart Top, No Chute, Light Beige	1	C06-1221 / 29703
	Rivet Nylon	4	F07-186 / 80050
	Top Mat, 400, Clear Vinyl	1	C06-1282 / 80097
	Tape	0	36008 / 36008
	Waste Chute, White	1	C06-1227 / D29704

RPC06-1328CH: Replacement 400 Top, Waste Chute, HDWE, Light Taupe E-Lock

Index #	Description	Quantity	Part No. / Drawing No.
A-1	400 Cart Top, No Chute, Light Beige	1	C06-1328 / D80637
	Rivet Nylon	4	F07-186 / 80050
	Top Mat, 400, Clear Vinyl	1	C06-1282 / 80097
	Tape	0	36008 / 36008
	Waste Chute, White	1	C06-1227 / D29704

RPC06-1223CH: Replacement 800 Top, Waste Chute, HDWE, Light Taupe

Index #	Description	Quantity	Part No. / Drawing No.
A-1	800 Cart Top, No Chute, Light Beige	1	C06-1223 / D29702
	Rivet Nylon	4	F07-186 / 80050
	Top Mat, 800, Clear Vinyl	1	C06-1284 / 80099
	Tape	0	36008 / 36008
	Waste Chute, White	1	C06-1227 / D29704

RPC06-1330CH: Replacement 800 Top, Waste Chute, HDWE, Light Taupe E-Lock

Index #	Description	Quantity	Part No. / Drawing No.
A-1	800 Cart Top, No Chute, Light Beige	1	C06-1330 / D80639
	Rivet Nylon	4	F07-186 / 80050
	Top Mat, 800, Clear Vinyl	1	C06-1284 / 80099
	Tape	0	36008 / 36008
	Waste Chute, White	1	C06-1227 / D29704

RP32117: Replacement Slide

Index #	Description	Quantity	Part No. / Drawing No.
A-2	400-600 Carts Slide	1 (PR)	32376 / 27663-LMF
	800 Carts Slide	2 (EA)	32376 / 27663-LMF

RP36381: Replacement Drawer/Roller Catch

Index #	Description	Quantity	Part No. / Drawing No.
A-5	Drawer/Roller Catch	1	36381 / 27222-LMF
A-33	#4-40 x .25 Long Cross Phillips Head Machine Screw	2	F04-409 / N/A

RP21572: Replacement 16"Drawer Slide

Index #	Description	Quantity	Part No. / Drawing No.
A-6	16" Drawer Slide	1	21572 / 27706-LMF

RP30066-D: Replacement Pull-Out Slide

Index #	Description	Quantity	Part No. / Drawing No.
A-10	Sliding Rack	1	C11-943 / 27233-LMF

RP-32120: Replacement Rack Lock Assembly

Index #	Description	Quantity	Part No. / Drawing No.
A-11	Rack Lock Assembly	1	32120 / 27615-LMF

RP32142: Replacement Rack Lock Cable Assembly

Index #	Description	Quantity	Part No. / Drawing No.
A-12	Rack Lock Cable Assembly	1	32142 / 27658-LMF

RP21775: Replacement Caster Assembly, 5" Swivel Plain

Index #	Description	Quantity	Part No. / Drawing No.
A-14	5" Swivel Caster	3	21775 / 27640-LMF
	1/4-20 x 1" Long Torx Screw (NOT SHOWN)	4	F04-314 / N/A
	1/4" Flat Washer (.312" I.D. x .734" O.D. x .065" THICK) (NOT SHOWN)	4	F06-056 / N/A
	1/4" Split Lock Washer (NOT SHOWN)	4	F06-021 / N/A

RPC02-398: Replacement Caster, MED 400 600 800

Index #	Description	Quantity	Part No. / Drawing No.
A-14	5" Plate Caster with Directional Lock with Red Brake Lever	1	C02-398 / 29883
	1/4-20 x 5/8" Serrated Hex Head Screw (NOT SHOWN)	4	F04-390 / N/A
	5/16" Flat Washer (.375" I.D. x .875" O.D. x .083" Thick) (NOT SHOWN)	4	F06-110 / N/A

RP09520: Replacement Caster, 5" Swivel with Lock

Index #	Description	Quantity	Part No. / Drawing No.
A-16	5" Swivel Lock Caster	1	09520 / 27641-LMF
	1/4-20 x 1" Long Torx Screw (NOT SHOWN)	4	F04-314 / N/A
	1/4" Flat Washer (.312" I.D. x .734" O.D. x .065" Thick) (NOT SHOWN)	4	F06-056 / N/A
	1/4" Split Lock Washer (NOT SHOWN)	4	F06-021 / N/A

RPC02-397: Replacement Caster, MED 400 600 800

Index #	Description	Quantity	Part No. / Drawing No.
A-16	5" Plate Caster with Directional Lock with Green Brake Lever	1	C02-397 / 29882
	1/4-20 x 5/8" Serrated Hex Head Screw (NOT SHOWN)	4	F04-390 / N/A
	5/16" Flat Washer (.375" I.D. x .875" O.D. x .083" Thick) (NOT SHOWN)	4	F06-110 / N/A

RPC02-397: Replacement Caster, MED 800

Index #	Description	Quantity	Part No. / Drawing No.
A-16	5" Plate Caster with No Brake	1	C02-404 / 80190
	1/4-20 x 5/8" Serrated Hex Head Screw (NOT SHOWN)	4	F04-390 / N/A
	5/16" Flat Washer (.375" I.D. x .875" O.D. x .083" Thick) (NOT SHOWN)	4	F06-110 / N/A

RP-30122-D: All Drawer Configuration

NOTE: This panel is used when there all storage drawers in Medication Cart.

Index #	Description	Quantity	Part No. / Drawing No.
A-17	All Drawer Configuration	1	30122 / 30122-D

RP-35019-S: Replacement Stone Drawer Pull

Index #	Description	Quantity	Part No. / Drawing No.
A-20	Handle, Storage Drawer, Stone	3	35019-S / 27049-LMF

RP-35019-C: Replacement Coral Drawer Pull

Index #	Description	Quantity	Part No. / Drawing No.
A-20	Handle, Storage Drawer, Coral	3	35019-C / 27049-LMF

RP-35019-D: Replacement Denim Drawer Pull

Index #	Description	Quantity	Part No. / Drawing No.
A-20	Handle, Storage Drawer, Denim	3	35019-D / 27049-LMF

RP-35019-W: Replacement Willow Drawer Pull

Index #	Description	Quantity	Part No. / Drawing No.
A-20	Handle, Storage Drawer, Willow	3	35019-W / 27049-LMF

RP21574: Replacement 12" Drawer Slide

Index #	Description	Quantity	Part No. / Drawing No.
A-22	12" Full Extension Slide	4	21574 / 27330-LMF

RP34116KIT: Replacement Power Strip Assembly

Index #	Description	Quantity	Part No. / Drawing No.
A-23	18" Power Strip	1	34116 / 34116

RPC13-971: Replacement Coil Cord 16AWG X 3C

Index #	Description	Quantity	Part No. / Drawing No.
A-24	Power Solution Coil Cord	1	C13-976 / N/A

RP34126: Replacement Cable Clamp

Index #	Description	Quantity	Part No. / Drawing No.
A-27	Cable Clamp	10	34126 / 34126

RPC09-821: Replacement Hanger, Power Cord Med Cart

Index #	Description	Quantity	Part No. / Drawing No.
A-28	Power Cord Hanger	1	C09-821 / N/A
	6-32 x .500 Phillips Flat Head Screw (RoHS) (NOT SHOWN)	2	9000030608 / N/A

RP07876: Replacement Clamp, Wire

Index #	Description	Quantity	Part No. / Drawing No.
A-30	Wire Clamp	3	07876 / 07876
	.375 Steel Cable Clamp (RoHS) (NOT SHOWN)	3	90010206 / N/A

RPLMCASTERS: Replacement Casters, MED 400 600

Index #	Description	Quantity	Part No. / Drawing No.
	5" Plate Caster with Directional Lock with Green Brake Lever	2	C02-397 / 29882
	5" Plate Caster with Directional Lock with Red Brake Lever	2	C02-398 / 29883
	1/4-20 x 5/8" Serrated Hex Head Screw (NOT SHOWN)	16	F04-390 / N/A
	5/16" Flat Washer (.375" I.D. x .875" O.D. x .083" Thick) (NOT SHOWN)	16	F06-110 / N/A

RPLMCASTERS: Replacement Casters, MED 800

Index #	Description	Quantity	Part No. / Drawing No.
	5" Plate Caster with No Brake	2	C02-404 / 80190
	5" Plate Caster with Directional Lock with Red Brake Lever	2	C02-398 / 29883
	1/4-20 x 5/8" Serrated Hex Head Screw (NOT SHOWN)	16	F04-390 / N/A
	5/16" Flat Washer (.375" I.D. x .875" O.D. x .083" Thick) (NOT SHOWN)	16	F06-110 / N/A

RPLM420W-UPGRADE: Replacement Wireless Board, Antenna

Index #	Description	Quantity	Part No. / Drawing No.
	Rivet Nylon	4	F07-186 / 80050
	Cable	1	C13-527 / N/A
	Kit, Antenna Mount	1	404425PH / 404425
	Label Bar Code 3" X 7.62"	2	C05-928 / 24302-02
	7X7X7 CTN 200# Test, RSC	1	T01-053
	RPSMA Plug RPSMA Jack	1	401224-18
	Tape, 3M #4930	0	36008

B. 400/800 CART ASSEMBLY WITH PULL OUT RACK

Refer to Pages 14-17 for Replacement Part Numbers, Description and Part Numbers

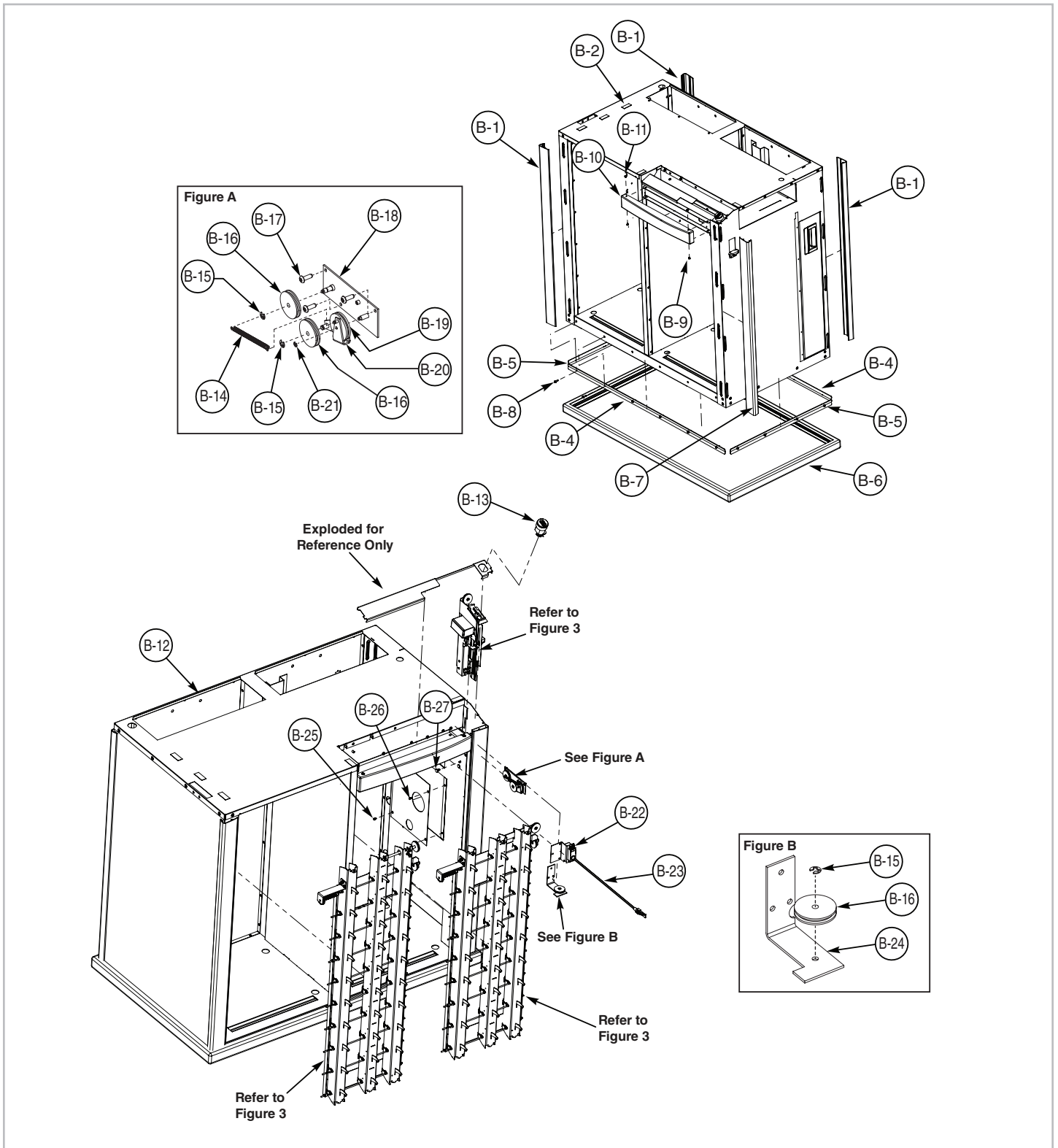


FIGURE 2: 400/800 CART ASSEMBLY WITH PULL OUT RACK

B. 400/800 Cart Assembly with Pull Out Rack - Part Reference

Index #	Description	Quantity	Part No. / Drawing No.
B-1	Vertical Long Bumper used on 400, 600, 800 Carts	3	C06-1266 / 27207-LMF
B-2	3M Tape (Applicable Only for 400 Cart)	9 sq.in	36008 / 27699-LMF
	3M Tape (Applicable Only for 800 Cart)	2 sq.in	
B-4	Retainer (Applicable Only for 400 Cart)	2	30041 / 27197-LMF
	Retainer (Applicable Only for 800 Cart)	2	30043 / 27203-LMF
B-5	Side Retainer used on 400, 600, 800 Carts	2	30044 / 27206-LMF
B-6	Horizontal Bumper (Applicable for 400 Cart)	1	C06-1272 / 27200-LMF
	Horizontal Bumper (Applicable for 800 Cart)	1	C06-1262 / 27204-LMF
B-7	Vertical Short Bumper	1	C06-1267 / 27208-LMF
B-8	Hex Washer Screw #8A X 5/8 (Applicable for 400 Cart)	20	F04-449 / N/A
	Hex Washer Screw #8A X 5/8 (Applicable for 800 Cart)	14	
B-9	#8-32 x 1/4 Phillips Flat Machine Screw with Locktite (RoHS)	2	F04-391 / N/A
B-10	Security Panel used on 400, 800 Carts	1	C06-1239 / 27662-LMF
B-11	#8-32 x 1/4 Phillips Truss Head Screw	2	F04-227 / N/A
B-12	Body Assembly (for 400 Cart with Pull Out Rack)	1	C11-929 / 27757-LMF
	Body Assembly (for 400 Cart without Pull Out Rack)	1	C11-930 / 26993-LMF
	Body Assembly (for 800 Cart with Pull Out Rack)	1	C11-931 / 27758-LMF
	Body Assembly (for 800 Cart without Pull Out Rack)	1	C11-932 / 27155-LMF
B-13	Cart Lock Assembly	1	32170 / 27764-LMF
B-14	Spring Tensioner	1	32160 / 27529-LMF
B-15	Retaining E-Ring 3-16 E # IR-1000-18	2	F07-139 / N/A
B-16	Cable Pulley	2	32031 / 27470-LMF
B-17	#6-32 x .25 Long Cross Phillips Head Machine Screw	3	F04-411 / N/A
B-18	Tensioner Base Assembly	1	32150 / 27519-LMF
B-19	W-Bearing Pulley	1	32158 / 27527-LMF
B-20	Tensioner Arm Assembly	1	32154 / 27523-LMF
B-21	Retaining E-Ring IR-1000-12_1-8	1	F07-140 / N/A
B-22A	Bracket, Servo Left	1	32087-2 / 27642-LMF
	#8-32 x .375 Phillips Pan Head SEMS (RoHS)	3	9000010806 / N/A
B-22B	Main Servo	1	C13-298 / 27625-LMF
	#4-40 X .25 Phillips Head Machine Screw Nylock	4	F04-404 / N/A
B-23	Right 600 Storage Drawers	1	32088-1 / 27666-LMF
	Left Cassette Side 400, 600, 800	1	32088-2 / 27666-LMF
B-24	Bracket Pulley	1	32109 / 27514-LMF

400-600-800 MEDICATION CARTS — ILLUSTRATED PARTS CATALOG

Index #	Description	Quantity	Part No. / Drawing No.
B-25	#6-32 x .250 Phillips Flat Head Screw (RoHS)	4	9000040604 / N/A
B-26	PCB Cover	1	C09-1191 / 27644-LMF
B-27	Christmas Tree Clip	1	35228 / 27707-LMF

B. 400/800 Cart Assembly with Pull Out Rack - RP Kit

RP-32170: Replacement Cart Lock Assembly

Index #	Description	Quantity	Part No. / Drawing No.
B-13	Cart Lock Assembly	1	32170 / 27764-LMF

RP32160: Replacement Spring Tensioner

Index #	Description	Quantity	Part No. / Drawing No.
B-14	Spring Tensioner	1	32160 / 27529-LMF

RP32031: Replacement Cable Pulley

Index #	Description	Quantity	Part No. / Drawing No.
B-16	Cable Pulley	1	32031 / 27470-LMF
B-15	Retaining E-Ring 3-16 E # IR-1000-18	2	F07-139 / N/A

RP32145: Replacement Cable Tensioner Subassembly

Index #	Description	Quantity	Part No. / Drawing No.
B-14	Spring Tensioner	1	32160 / 27529-LMF
B-15	Retaining E-Ring 3-16 E # IR-1000-18	2	F07-139 / N/A
B-16	Cable Pulley	2	32031 / 27470-LMF
B-17	#6-32 x .25 Long Cross Phillips Head Machine Screw	3	F04-411 / N/A
B-18	Tensioner Base Assembly	1	32150 / 27519-LMF
B-19	W-Bearing Pulley	1	32158 / 27527-LMF
B-20	Tensioner Arm Assembly	1	32154 / 27523-LMF
B-21	Retaining E-Ring IR-1000-12_1-8	1	F07-140 / N/A
---	Pulley Shaft Washer (Mounted Under Item B-16)	1	32159 / 27528-LMF

RP-32087-2: Replacement Bracket Servo, Cassette Section

400, 600, 800 Carts

Index #	Description	Quantity	Part No. / Drawing No.
B-22A	Bracket, Servo Left	1	32087-2 / 27642-LMF
	#8-32 x .375 Phillips Pan Head SEMS (RoHS)	3	9000010806 / N/A

RPC13-298: Replacement Narc Drawer Servo

Index #	Description	Quantity	Part No. / Drawing No.
B-22B	Main Servo	1	C13-298 / 27625-LMF
	#4-40 X .25 Phillips Head Machine Screw Nylock	4	F04-404 / N/A

RP32088-1: Replacement Servo Shaft, Right

RP32088-2: Replacement Servo Shaft, Left

Index #	Description	Quantity	Part No. / Drawing No.
B-23	Right 600 Storage Drawers	1	32088-1 / 27666-LMF
	Left Cassette Side 400, 600, 800	1	32088-2 / 27666-LMF

C. 400L/600 & 400R/800 CASSETTE LATCH ASSEMBLY

Refer to Page 19-20 for Replacement Part Numbers, Description and Part Numbers

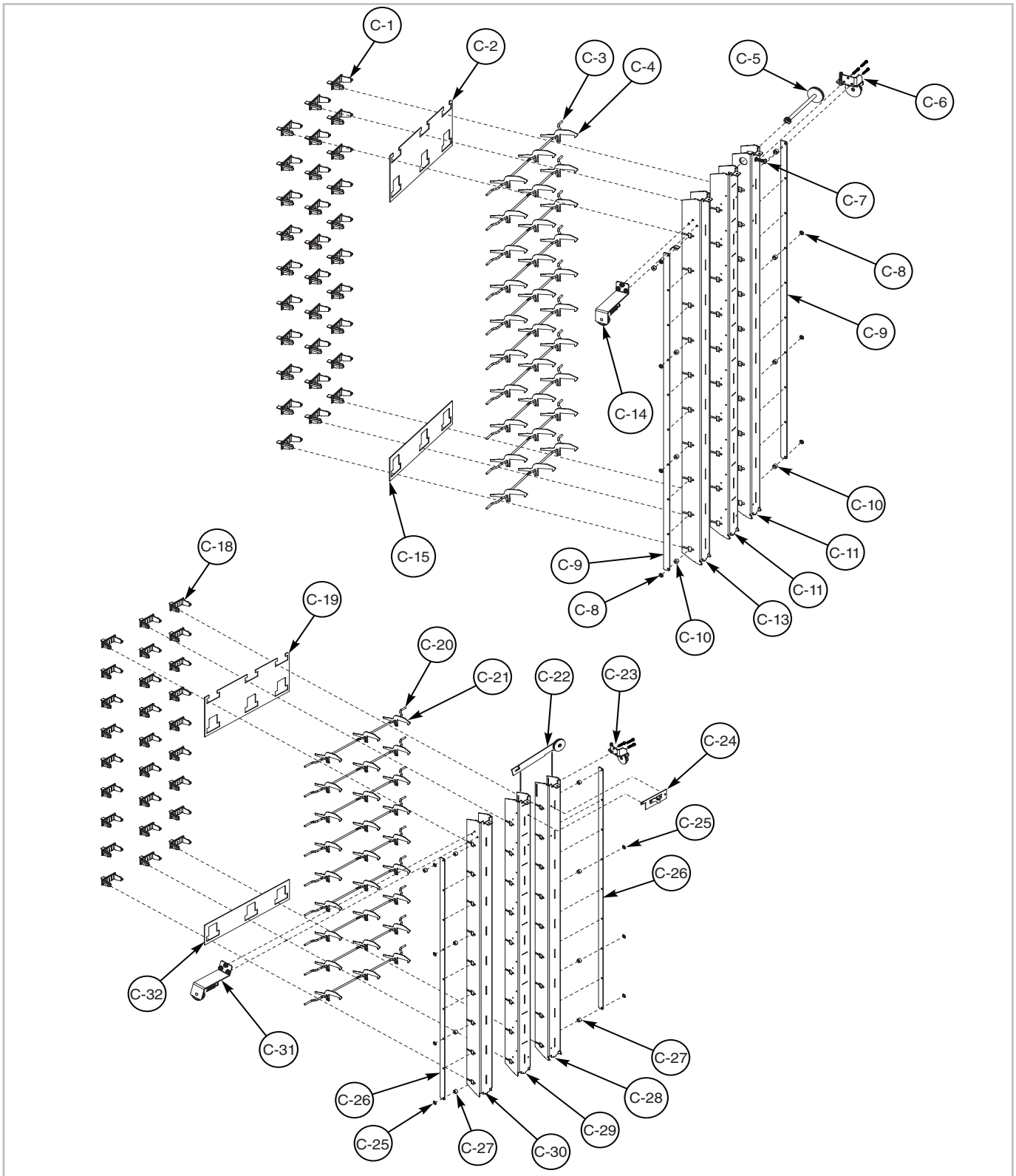


FIGURE 3: 400L/600 & 400R/800 CASSETTE LATCH ASSEMBLY

C. Long 400/600 & Short 400/800 Cassette Latch Assembly - Part Reference

Index #	Description	Quantity	Part No. / Drawing No.
C-1	Latch Mechanism Retainer	30	32205 / 27552-LMF
C-2	Upper Plate	1	32174 / 27541-LMF
C-3	Crankshaft	10	32058 / 27506-LMF
C-4	Normal Latch Finger	30	32059 / 27507-LMF
C-5	Pulley Cable Assembly	1	32226PH / 27566-LMF
C-6	Drum Cable Assembly	1	32225PH / 27491-LMF
	#10-32 x 0.875 Socket Head Cap Screw (NOTE: This screw is used to adjust C-5 to correct at correct tension)	3	F04-442 / N/A
C-7	PHL Pan Head Screw #10-32 x 1.00	1	F04-445 / N/A
C-8	Retaining Ring 1/8" Push-on	7	32171 / 27540-LMF
C-9	Long Cassette Latch Drive Link	2	32062 / 27508-LMF
C-10	Drive Link Spacer	9	32061 / 27484-LMF
C-11	Cassette Latch Channel, Right, Long	1	32176 / 27543-LMF
C-12	Cassette Latch Channel, Center, Long	1	32178 / 27547-LMF
C-13	Cassette Latch Channel, Left, Long	1	32177 / 27545-LMF
C-14	Gear Spring Assembly	1	32224PH / 27368-LMF
C-15	Lower Plate	1	32175 / 27542-LMF
C-16	#6-32 x 0.25 Socket Head Cap Screw (NOT SHOWN)	3	F04-464 / N/A
C-17	Lithium Grease (NOT SHOWN)	.01 OZ.	M05-045 / N/A
C-18	Latch Mechanism Retainer	27	32205 / 27552-LMF
C-19	Upper Plate	1	32174 / 27541-LMF
C-20	Crank Shaft	9	32058 / 27506-LMF
C-21	Normal Latch Finger	27	32059 / 27507-LMF
C-22	Pulley Arm Assembly	1	32227PH / 27546-LMF
C-23	Drum Cable Assembly	1	32225PH / 27491-LMF
	#10-32 x 0.875 Socket Head Cap Screw (NOTE: This screw is used to adjust C-22 to correct at correct tension)	3	F04-442 / N/A
C-24	Bracket Roller Assembly	1	32491 / 27670-LMF 36381 / 27222-LMF
C-25	Retaining Ring 1/8" Push-on	7	32171 / 27540-LMF
C-26	Short Cassette Latch Drive Link	2	32101 / 27511-LMF
C-27	Drive Link Spacer	9	32061 / 27484-LMF
C-28	Cassette Latch Channel, Right, Short	1	32179 / 27549-LMF
C-29	Cassette Latch Channel, Center, Short	1	32181 / 27551-LMF
C-30	Cassette Latch Channel, Left, Short	1	32180 / 27550-LMF
C-31	Gear Spring Assembly	1	32224PH / 27368-LMF
C-32	Lower Plate	1	32175 / 27542-LMF
C-33	#6-32 x 0.25 Socket Head Cap Screw (NOT SHOWN)	3	F04-464 / N/A
C-34	Lithium Grease (NOT SHOWN)	.01 OZ.	M05-045 / N/A

C. Long 400/600 & Short 400/800 Cassette Latch Assembly - RP Kit

RP32005-1: Cassette Latch Assembly, 400L/600

Index #	Description	Quantity	Part No. / Drawing No.
C-1	Latch Mechanism Retainer	30	32205 / 27552-LMF
C-2	Upper Plate	1	32174 / 27541-LMF
C-3	Crankshaft	10	32058 / 27506-LMF
C-4	Normal Latch Finger	30	32059 / 27507-LMF
C-5	Pulley Cable Assembly	1	32226PH / 27566-LMF
C-6	Drum Cable Assembly	1	32225PH / 27491-LMF
	#10-32 x 0.875 Socket Head Cap Screw (NOTE: This screw is used to adjust C-5 to correct at correct tension)	3	F04-442 / N/A
C-7	PHL Pan Head Screw #10-32 X 1.00	1	F04-445 / N/A
C-8	Retaining Ring 1/8" Push-on	7	32171 / 27540-LMF
C-9	Long Cassette Latch Drive Link	2	32062 / 27508-LMF
C-10	Drive Link Spacer	9	32061 / 27484-LMF
C-11	Cassette Latch Channel, Right, Long	1	32176 / 27543-LMF
C-12	Cassette Latch Channel, Center, Long	1	32178 / 27547-LMF
C-13	Cassette Latch Channel, Left, Long	1	32177 / 27545-LMF
C-14	Gear Spring Assembly	1	32224PH / 27368-LMF
C-15	Lower Plate	1	32175 / 27542-LMF
C-16	#6-32 x 0.25 Socket Head Cap Screw (NOT SHOWN)	3	F04-464 / N/A
C-17	Lithium Grease (NOT SHOWN)	.01 OZ.	M05-045 / N/A

RP32005-2: Cassette Latch Assembly, 400R/800

Index #	Description	Quantity	Part No. / Drawing No.
C-18	Latch Mechanism Retainer	27	32205 / 27552-LMF
C-19	Upper Plate	1	32174 / 27541-LMF
C-20	Crank Shaft	9	32058 / 27506-LMF
C-21	Normal Latch Finger	27	32059 / 27507-LMF
C-22	Pulley Arm Assembly	1	32227PH / 27546-LMF
C-23	Drum Cable Assembly	1	32225PH / 27491-LMF
	#10-32 x 0.875 Socket Head Cap Screw (NOTE: This screw is used to adjust C-22 to correct at correct tension)	3	F04-442 / N/A
C-24	Bracket Roller Assembly	1	32491 / 27670-LMF 36381 / 27222-LMF
C-25	Retaining Ring 1/8" Push-on	7	32171 / 27540-LMF
C-26	Short Cassette Latch Drive Link	2	32101 / 27511-LMF
C-27	Drive Link Spacer	9	32061 / 27484-LMF
C-28	Cassette Latch Channel, Right, Short	1	32179 / 27549-LMF
C-29	Cassette Latch Channel, Center, Short	1	32181 / 27551-LMF
C-30	Cassette Latch Channel, Left, Short	1	32180 / 27550-LMF
C-31	Gear Spring Assembly	1	32224PH / 27368-LMF
C-32	Lower Plate	1	32175 / 27542-LMF
C-33	#6-32 x 0.25 Socket Head Cap Screw (NOT SHOWN)	3	F04-464 / N/A
C-34	Lithium Grease (NOT SHOWN)	.01 OZ.	M05-045 / N/A

D. 400/800 CHASSIS ASSEMBLY

Refer to Page 22-23 for Replacement Part Numbers, Description and Part Numbers

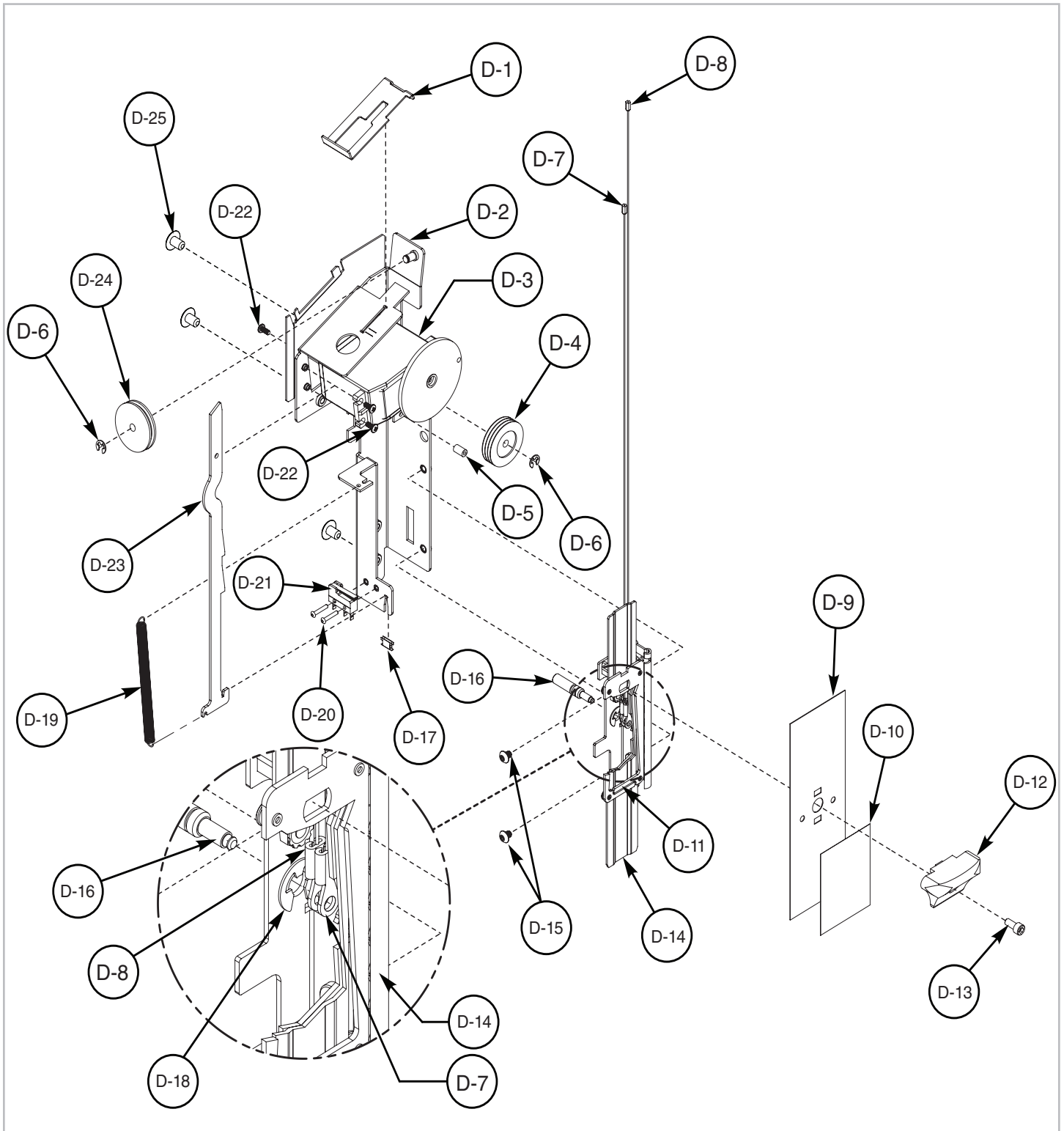


FIGURE 4: 400/800 CHASSIS ASSEMBLY

D. 400 Cart Chassis Assembly - Part Reference

Index #	Description	Quantity	Part No. / Drawing No.
D-1	Lock Release Slider	1	32036 / 27471-LMF
D-2	Chassis	1	32011 / 27363-LMF
	Chassis Assembly, 400 Cart (Applicable Only for 400 Cart)	1	30110 / 27570-LMF
	Chassis Assembly, 800 Cart (Applicable Only for 800 Cart)	1	30116 / 27486-LMF
D-3	Main Servo Assembly	1	34002 / 34002
D-4	Triple Groove Pulley	1	32030 / 27466-LMF
D-5	Standoff Retainer	1	32146 / 27467-LMF
D-6	3/16 E - Retaining Ring (Applicable Only for 400 Cart)	2	F07-139 / N/A
	3/16 E - Retaining Ring (Applicable Only for 800 Cart)	1	
D-7	Cable Assembly, Right	1	32141 / 27487-LMF
D-8	Cable Assembly, Left (Not Applicable to 800 Cart)	1	32140 / 27518-LMF
D-9	Trim Shield	1	32026 / 27472-LMF
	Trim Shield	1	C09-1200 / 27472-LMF
D-10	Handle Color Decal	1	36007 / 27476-LMF
D-12	Knob	1	32028 / 27474-LMF
	Knob	1	32028-MB / 27474-LMF
D-13	#8-32 x .375 SHCS Screw (Black-Oxide)	1	F04-585 / N/A
D-14	Slide Assembly	1	32012 / 27366-LMF
	Detent Spring Assembly	1	36186 / 27567-LMF
	Knob Mount Assembly	1	32112 / 27371-LMF
	Track, Knob Mount	1	32022 / 27458-LMF
	Slide, Super Slim 2000, SANGJIN	1	32020 / 27367-LMF
	#6-32, Nut, HN KEPS (RoHS)	2	9000250632 / N/A
D-15	#8-32 x .188 SBH Screw (RoHS)	2	F04-472 / N/A
D-16	Knob Bracket Shaft	1	32032 / 27465-LMF
D-17	U-Type Clip	1	36029 / 27475-LMF
D-18	1/4 E - Retaining Ring	1	F07-141 / N/A
D-19	Arm Spring	1	32035 / 27469-LMF
D-20	# 2-56 X 1/2" Button Head Cap Screw	2	F04-326 / N/A
D-21	Subminiature Switch	4	32005 / 32005
D-22	#4-40 x 1/4 Phillips PAN Head Machine Screw (Applicable Only for 800 Cart)	5	F04-404 / N/A
D-23	Lock Arm	1	32033 / 27468-LMF
D-24	Pulley Cable (Not Applicable to 800 Cart)	1	32031 / 27470-LMF
D-25	#8-32 x 1/4 Phillips TR Head Screw	3	F04-227 / N/A

D. 400 Cart Chassis Assembly - RP-Kit***RP32036: Replacement Slider, Lock Release***

Index #	Description	Quantity	Part No. / Drawing No.
D-1	Lock Release Slider	1	32036 / 27471-LMF

RP32141: Replacement Cable Assembly, 400/800 Cassette Latch

Index #	Description	Quantity	Part No. / Drawing No.
D-7	Cable Assembly, Right	1	32141 / 27487-LMF

RP32140: Replacement Cable Assembly 400 Cassette Latch

Index #	Description	Quantity	Part No. / Drawing No.
D-8	Cable Assembly, Left (Not Applicable to 800 Cart)	1	32140 / 27518-LMF

RP36007: Replacement Decal for Lock Handle

Index #	Description	Quantity	Part No. / Drawing No.
D-10	Handle Color Decal	1	36007 / 27476-LMF

RP32028: Replacement Knob Kit, MED CART

Index #	Description	Quantity	Part No. / Drawing No.
D-12	Knob	1	32028 / 27474-LMF

RP36186: Replacement Detent Spring Assembly

Index #	Description	Quantity	Part No. / Drawing No.
D-14	Detent Spring Assembly	1	36186 / 27567-LMF

RP36029: Replacement U-Clip, Chassis Servo Assembly

Index #	Description	Quantity	Part No. / Drawing No.
D-17	U-Type Clip	1	36029 / 27475-LMF

RP32005: Replacement Switch, Subminiature

Index #	Description	Quantity	Part No. / Drawing No.
D-21	Subminiature Switch	4	32005 / 32005

RP32031: Replacement Pulley, Cable Sava

Index #	Description	Quantity	Part No. / Drawing No.
D-24	Pulley Cable (Not Applicable to 800 Cart)	1	32031 / 27470-LMF

* ***Follow The Instructions Provided In Respective Figures***

NOTE: 400 Cart without pull out rack (#403821) and 800 Cart without pull out rack (#403825) follows the same structure from pages 5-22, except the “Pullout Rack Assembly” (Refer to Page 8-9 for Item 1-6*) is not available.

E. 600 CART STANDARD ASSEMBLY (10-TIER, 9-TIER)

Refer to Page 25-30 for Replacement Part Numbers, Description and Part Numbers

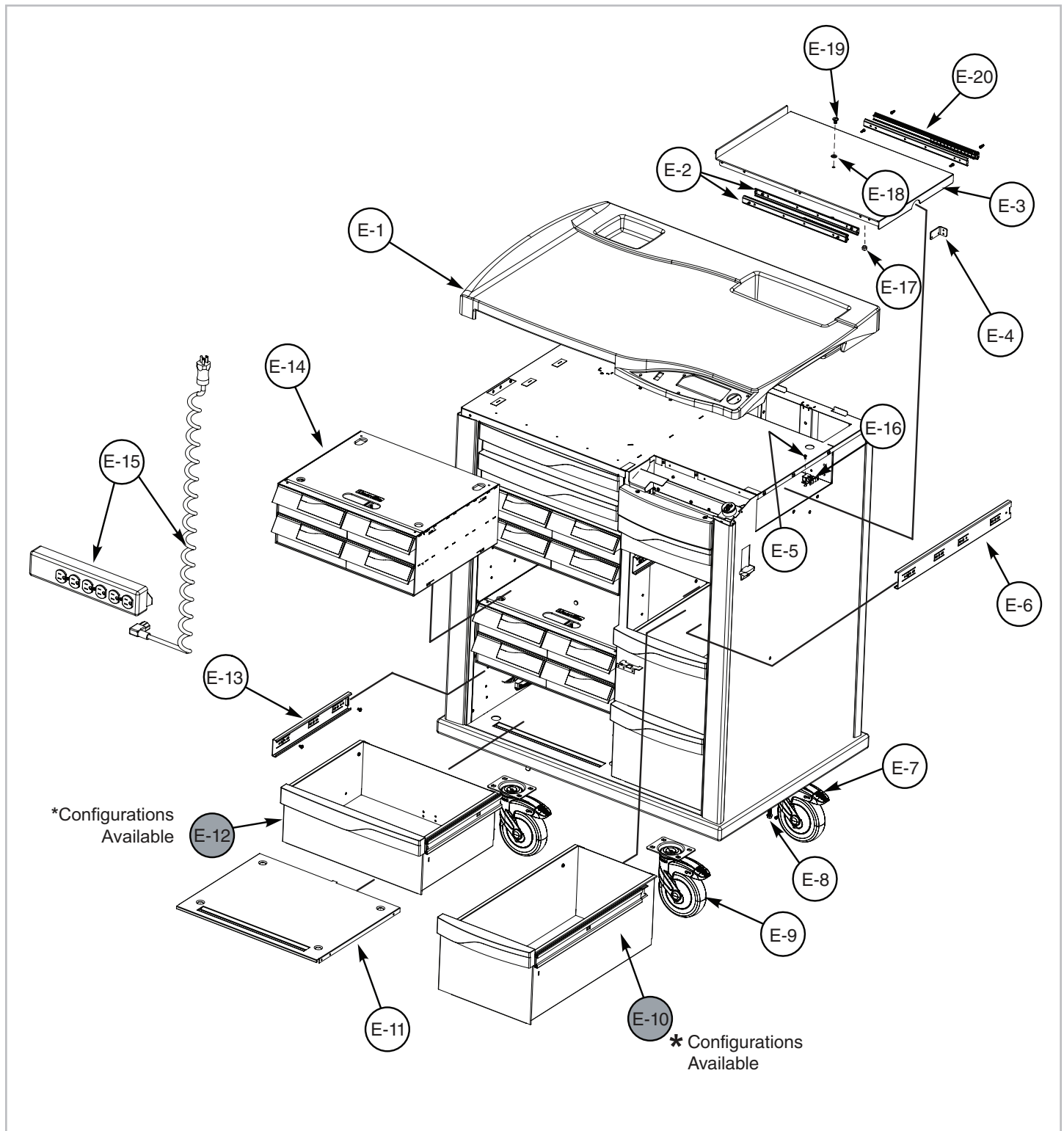


FIGURE 5 : 600 CART STANDARD ASSEMBLY (10-TIER, 9-TIER)

E. 600 Cart Standard Assembly - Part Reference

Index #	Description	Quantity	Part No. / Drawing No.
E-1	600 Top Cover with Sendec or LA6	1	C06-1222 / 29701
	600, Top, HDWE, LT Taupe	1	C06-1222 / 29701
	600, Top, W/Chute HDWE, LT Taupe	1	C06-1222CH / 29701
E-2	400-600 Carts Slide	1 (PR)	32376 / 27663-LMF
	800 Carts Slide	2 (EA)	32376 / 27663-LMF
E-3	Long Sliding Tray	1	C11-952 / 27257-LMF
E-4	Sliding Tray Roller Catch	1	32494 / 27694-LMF
E-5	Drawer Catch	1	36381 / 27222-LMF
E-6	18" Drawer Slide	8	21571 / 27329-LMF
E-7	5" Swivel Caster	3	21775 / 27640-LMF
	5" Swivel Caster	3	C02-398 / 29883
	Caster, MED 400 600 800	3	C02-398 / 29883
E-8	Hex Washer Screw 1/4-20 X 5/8	16	F04-390 / N/A
E-9	5" Swivel Lock Caster	1	09520 / 27641-LMF
	5" Swivel Lock Caster	1	C02-397 / 29882
	Caster, MED 400 600 800	1	C02-397 / 29882
E-10	8" Storage Drawer, Coral	3	30098-C / 27339-LMF
	8" Storage Drawer, with Lock, Coral	3	30098-CL / 27339-LMF
	8" Storage Drawer, Denim	3	30098-D / 27339-LMF
	8" Storage Drawer, with Lock, Stone	3	30098-SL / 27339-LMF
	8" Storage Drawer, Willow	3	30098-W / 27339-LMF
	4" Storage Drawer, Stone	1	30097-S / 27338-LMF
	4" Storage Drawer, Willow	1	30097-W / 27338-LMF
E-11	1-2-3, 4 Tier Drawer Security Plate (Quantity changes based on the drawer configuration) (NOTE: This security plate must be above storage drawer when patient drawer cassettes rest on top of drawer.)	3	30134 / 27664-LMF
E-12	1-Tier Storage Drawer Assembly, Stone	1	30220-S / 27346-LMF
	1-Tier Storage Drawer Assembly, Willow	1	30220-W / 27346-LMF
	2-Tier Storage Drawer Assembly, Coral	1	30221-C / 27347-LMF
	2-Tier Storage Drawer Assembly, with Lock, Coral	1	30221-CL / 27347-LMF
	2-Tier Storage Drawer Assembly, Denim	1	30221-D / 27347-LMF
	2-Tier Storage Drawer Assembly, Stone	1	30221-S / 27347-LMF
	2-Tier Storage Drawer Assembly, Willow	1	30221-W / 27347-LMF
	2-Tier Storage Drawer Assembly, with Lock, Willow	1	30221-WL / 27347-LMF

Index #	Description	Quantity	Part No. / Drawing No.
	3-Tier Storage Drawer Assembly, Coral	1	30222-C / 27348-LMF
	3-Tier Storage Drawer Assembly, with Lock, Coral	1	30222-CL / 27348-LMF
	3-Tier Storage Drawer Assembly, Denim	1	30222-D / 27348-LMF
	3-Tier Storage Drawer Assembly, with Lock, Denim	1	30222-DL / 27348-LMF
	3-Tier Storage Drawer Assembly, Stone	1	30222-S / 27348-LMF
	3-Tier Storage Drawer Assembly, with Lock, Sand	1	30222-SL / 27348-LMF
	3-Tier Storage Drawer Assembly, Willow	1	30222-W / 27348-LMF
	3-Tier Storage Drawer Assembly, with Lock, Willow	1	30222-WL / 27348-LMF
E-13	12" Full Extension Slide (Quantity changes based on the drawer configuration)	2	21574 / 27330-LMF
E-14	2-Tier Cassette Drawer (Quantity changes based on the drawer configuration)	3	35011 / 27357-LMF
E-15	Power Strip and Coil Cord Strip Kit	1	403554
E-16	#4-40 x .25 Long Cross Phillips Head Machine Screw	2	F04-409 / N/A
E-17	1/4-20 Self Lock Elastic Stop Nut	1	F02-018 / N/A
E-18	Nylon Washer	1	32243
E-19	1/4-20 x 3/8 Phillips PAN Head Screw	1	F04-174 / N/A
E-20	#6-32 x .38 Long HX-SHC Screw	8	F04-408 / N/A

* *Follow The Instructions Provided In Respective Figures.*

E. 600 Cart Standard Assembly - RP Kit***RPC06-1222: Replacement 600 Top, HDWE, Light Taupe***

Index #	Description	Quantity	Part No. / Drawing No.
E-1	600 Cart Top, No Chute, Light Beige	1	C06-1222 / D29701
	Rivet Nylon	4	F07-186 / 80050
	Top Mat, 600, Clear Vinyl	1	C06-1283 / 80098
	Tape	0	36008 / 36008

RPC06-1329: Replacement 600 Top, HDWE, Light Taupe E-Lock

Index #	Description	Quantity	Part No. / Drawing No.
E-1	600 Cart Top, No Chute, Light Beige	1	C06-1329 / D80638
	Rivet Nylon	4	F07-186 / 80050
	Top Mat, 600, Clear Vinyl	1	C06-1283 / 80098
	Tape	0	36008 / 36008

RPC06-1222CH: Replacement 600 Top, Waste Chute, HDWE, Light Taupe

Index #	Description	Quantity	Part No. / Drawing No.
E-1	600 Cart Top, No Chute, Light Beige	1	C06-1222 / D29701
	Rivet Nylon	4	F07-186 / 80050
	Top Mat, 600, Clear Vinyl	1	C06-1283 / 80098
	Tape	0	36008 / 36008
	Waste Chute, White	1	C06-1227 / D29704

RPC06-1329CH: Replacement 600 Top, Waste Chute, HDWE, Light Taupe E-Lock

Index #	Description	Quantity	Part No. / Drawing No.
E-1	600 Cart Top, No Chute, Light Beige	1	C06-1329 / D80638
	Rivet Nylon	4	F07-186 / 80050
	Top Mat, 600, Clear Vinyl	1	C06-1283 / 80098
	Tape	0	36008 / 36008
	Waste Chute, White	1	C06-1227 / D29704

RP32117: Replacement Slide, Quantity 4, Super Slim 2000

Index #	Description	Quantity	Part No. / Drawing No.
E-2	400-600 Carts Slide	1 (PR)	32376 / 27663-LMF
	800 Carts Slide	2 (EA)	32376 / 27663-LMF

RP32494: Replacement Bracket Roller Kit for Side Pull Out Tray

Index #	Description	Quantity	Part No. / Drawing No.
E-4	Sliding Tray Roller Catch	1	32494 / 27694-LMF

RP36381: Replacement Roller Catch, Quantity 10

Index #	Description	Quantity	Part No. / Drawing No.
E-5	Drawer Catch	1	36381 / 27222-LMF

RP21571: Replacement Drawer Slide PR. 71048-000

Index #	Description	Quantity	Part No. / Drawing No.
E-6	18" Drawer Slide	8	21571 / 27329-LMF

RP21775: Replacement Caster, 5" Swivel Plain

Index #	Description	Quantity	Part No. / Drawing No.
E-7	5" Swivel Caster	3	21775 / 27640-LMF

RPC02-398: Replacement Caster, MED 400 600 800

Index #	Description	Quantity	Part No. / Drawing No.
E-7	5" Plate Caster with Directional Lock with Red Brake Lever	1	C02-398 / 29883
	1/4-20 x 5/8" Serrated Hex Head Screw (NOT SHOWN)	4	F04-390 / N/A
	5/16" Flat Washer (.375" I.D. x .875" O.D. x .083" Thick) (NOT SHOWN)	4	F06-110 / N/A

RPF04-390: Replacement Part, 1/4-20 x 5/8

Index #	Description	Quantity	Part No. / Drawing No.
E-8	Hex Washer Screw 1/4-20 X 5/8	16	F04-390 / N/A

RP09520: Replacement Caster, 5" Swivel with Lock

Index #	Description	Quantity	Part No. / Drawing No.
E-9	5" Swivel Lock Caster	1	09520 / 27641-LMF

RPC02-397: Replacement Caster, MED 400 600 800

Index #	Description	Quantity	Part No. / Drawing No.
E-9	5" Plate Caster with Directional Lock with Green Brake Lever	1	C02-397 / 29882
	1/4-20 x 5/8" Serrated Hex Head Screw (NOT SHOWN)	4	F04-390 / N/A
	5/16" Flat Washer (.375" I.D. x .875" O.D. x .083" Thick) (NOT SHOWN)	4	F06-110 / N/A

RP-30098-C: 600 RH 8" Drawer Assembly Coral

Index #	Description	Quantity	Part No. / Drawing No.
E-10	8" Storage Drawer, Coral	3	30098-C / 27339-LMF

RP-30098-CL: Drawer 8" RS with Lock, Coral

Index #	Description	Quantity	Part No. / Drawing No.
E-10	8" Storage Drawer, with Lock, Coral	3	30098-CL / 27339-LMF

RP-30098-D: 600 RH 8" Drawer Assembly Denim

Index #	Description	Quantity	Part No. / Drawing No.
E-10	8" Storage Drawer, Denim	3	30098-D / 27339-LMF

RP-30098-SL: Drawer 8" RS 600 with Lock Stone

Index #	Description	Quantity	Part No. / Drawing No.
E-10	8" Storage Drawer, with Lock, Stone	3	30098-SL / 27339-LMF

RP-30098-W: 600 RH 8" Drawer Assembly Willow

Index #	Description	Quantity	Part No. / Drawing No.
E-10	8" Storage Drawer, Willow	3	30098-W / 27339-LMF

RP-30097-S: 600 RH 4" Drawer Assembly Stone

Index #	Description	Quantity	Part No. / Drawing No.
	4" Storage Drawer, Stone	1	30097-S / 27338-LMF

RP-30097-W: 600 RH 4" Drawer Assembly Willow

Index #	Description	Quantity	Part No. / Drawing No.
	4" Storage Drawer, Willow	1	30097-W / 27338-LMF

RP-30220-S: Replacement Storage Drawer (AL), Stone

Index #	Description	Quantity	Part No. / Drawing No.
E-12	1-Tier Storage Drawer Assembly, Stone	1	30220-S / 27346-LMF

RP-30220-W: Replacement Storage Drawer (AL), Willow

Index #	Description	Quantity	Part No. / Drawing No.
E-12	1-Tier Storage Drawer Assembly, Willow	1	30220-W / 27346-LMF

RP-30221-C: Replacement Storage Drawer (AL), Coral

Index #	Description	Quantity	Part No. / Drawing No.
E-12	2-Tier Storage Drawer Assembly, Coral	1	30221-C / 27347-LMF

RP-30221-CL: Replacement Storage Drawer (AL), Coral with Lock

Index #	Description	Quantity	Part No. / Drawing No.
E-12	2-Tier Storage Drawer Assembly, with Lock, Coral	1	30221-CL / 27347-LMF

RP-30221-D: Replacement Storage Drawer (AL), Denim

Index #	Description	Quantity	Part No. / Drawing No.
E-12	2-Tier Storage Drawer Assembly, Denim	1	30221-D / 27347-LMF

RP-30221-S: Replacement Storage Drawer (AL), Stone

Index #	Description	Quantity	Part No. / Drawing No.
E-12	2-Tier Storage Drawer Assembly, Stone	1	30221-S / 27347-LMF

RP-30221-W: Replacement Storage Drawer (AL), Willow

Index #	Description	Quantity	Part No. / Drawing No.
E-12	2-Tier Storage Drawer Assembly, Willow	1	30221-W / 27347-LMF

RP-30221-WL: Replacement Storage Drawer (AL), Willow with Lock

Index #	Description	Quantity	Part No. / Drawing No.
E-12	2-Tier Storage Drawer Assembly, with Lock, Willow	1	30221-WL / 27347-LMF

RP-30222-C: Replacement Storage Drawer (AL), Coral

Index #	Description	Quantity	Part No. / Drawing No.
E-12	3-Tier Storage Drawer Assembly, Coral	1	30222-C / 27348-LMF

RP-30222-CL: Replacement Storage Drawer (AL), Coral with Lock

Index #	Description	Quantity	Part No. / Drawing No.
E-12	3-Tier Storage Drawer Assembly, with Lock, Coral	1	30222-CL / 27348-LMF

RP-30222-D: Replacement Storage Drawer (AL), Denim

Index #	Description	Quantity	Part No. / Drawing No.
E-12	3-Tier Storage Drawer Assembly, Denim	1	30222-D / 27348-LMF

RP-30222-DL: Replacement Storage Drawer, Denim with Lock

Index #	Description	Quantity	Part No. / Drawing No.
E-12	3-Tier Storage Drawer Assembly, with Lock, Denim	1	30222-DL / 27348-LMF

RP-30222-S: Replacement Storage Drawer (AL), Stone

Index #	Description	Quantity	Part No. / Drawing No.
E-12	3-Tier Storage Drawer Assembly, Stone	1	30222-S / 27348-LMF

RP30222-SL: Replacement Storage Drawer (AL), Sand with Lock

Index #	Description	Quantity	Part No. / Drawing No.
E-12	3-Tier Storage Drawer Assembly, with Lock, Sand	1	30222-SL / 27348-LMF

RP-30222-W: Replacement Storage Drawer (AL), Willow

Index #	Description	Quantity	Part No. / Drawing No.
E-12	3-Tier Storage Drawer Assembly, Willow	1	30222-W / 27348-LMF

RP-30222-WL: Replacement Storage Drawer (AL), Willow with Lock

Index #	Description	Quantity	Part No. / Drawing No.
E-12	3-Tier Storage Drawer Assembly, with Lock, Willow	1	30222-WL / 27348-LMF

RP21574: Replacement Drawer Slide PR., C3832-A12

Index #	Description	Quantity	Part No. / Drawing No.
E-13	12" Full Extension Slide (Quantity changes based on the drawer configuration)	2	21574 / 27330-LMF

RPLMCASTERS: Replacement Casters, MED 400 600

Index #	Description	Quantity	Part No. / Drawing No.
	5" Plate Caster with Directional Lock with Green Brake Lever	2	C02-397 / 29882
	5" Plate Caster with Directional Lock with Red Brake Lever	2	C02-398 / 29883
	1/4-20 x 5/8" Serrated Hex Head Screw (NOT SHOWN)	16	F04-390 / N/A
	5/16" Flat Washer (.375" I.D. x .875" O.D. x .083" Thick) (NOT SHOWN)	16	F06-110 / N/A

F. 600 CART STANDARD ASSEMBLY (10-TIER, 9-TIER)

Refer to Page 32-33 for Replacement Part Numbers, Description and Part Numbers

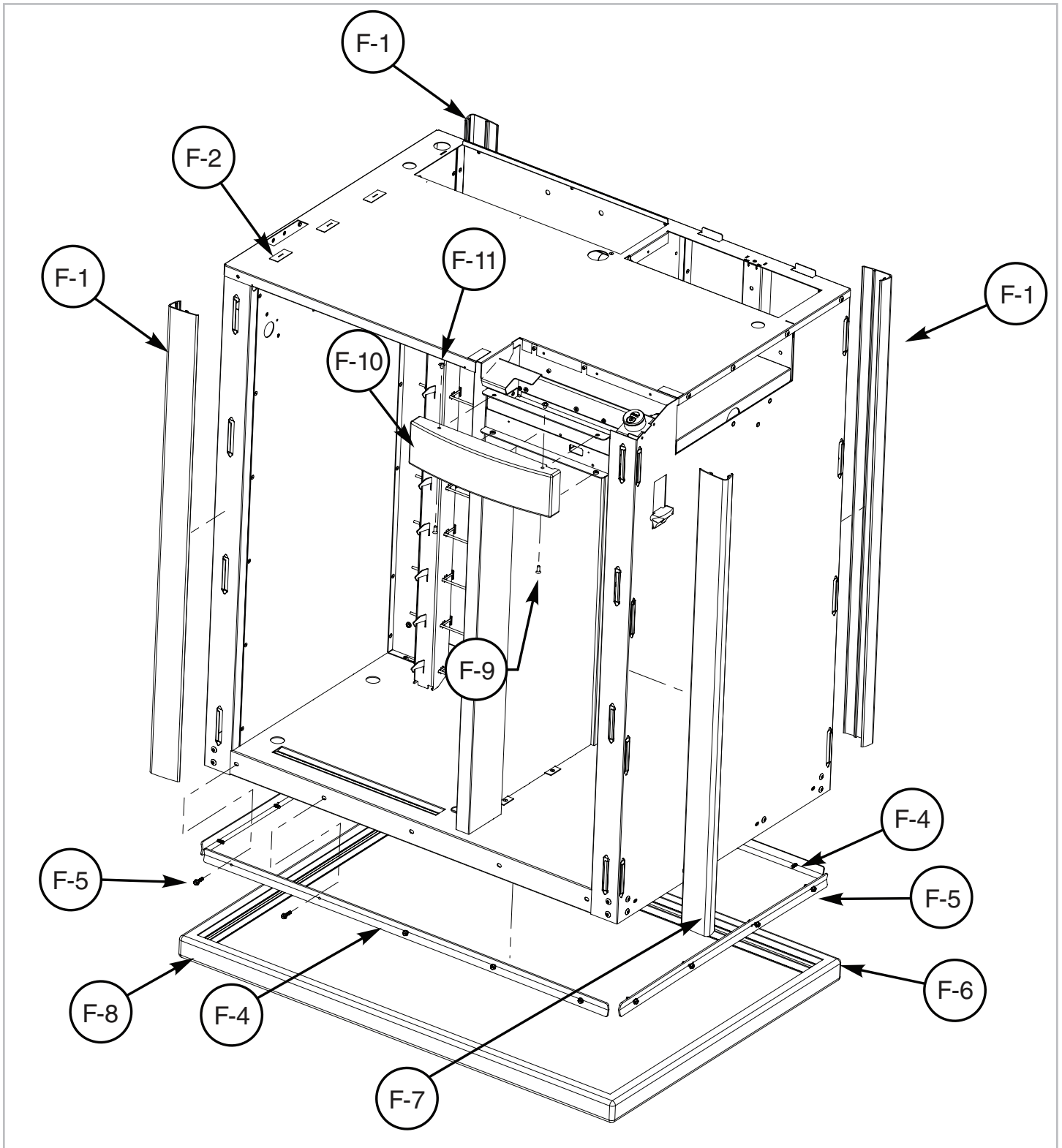


FIGURE 6: 600 CART STANDARD ASSEMBLY (10-TIER, 9-TIER)

F. 600 Cart Standard Assembly - Part Reference

Index #	Description	Quantity	Part No. / Drawing No.
F-1	Vertical Long Bumper	3	35041 / 27207-LMF
	Vertical Long Bumper	3	C06-1266 / 27207-LMF
F-2	3M Tape	9 sq.in	36008 / 27699-LMF
F-4	Retainer	2	30042 / 27766-LMF
F-5	Side Retainer	2	30044 / 27206-LMF
F-6	Horizontal Bumper	1	35039 / 27200-LMF
F-7	Vertical Short Bumper	1	35044 / 27208-LMF
F-8	Hex Washer Screw #8A X 5/8	16	F04-449 / N/A
F-9	#8-32 x 1/4 Phillips Flat Machine Screw with Loctite (RoHS)	2	F04-391 / N/A
F-10	Security Panel	1	C06-1240 / 27695-LMF
F-11	PHL Truss Head Screw 8-32 X 1/4	2	F04-227 / N/A
F-12	Knob	1	32028 / 27474-LMF
F-13	#8-32 x .375 SHCS Screw (Black-Oxide)	1	F04-585 / N/A

F. 600 Cart Standard Assembly - RP Kit***RP35041-D: Replacement Bumper Vertical Right Dove***

Index #	Description	Quantity	Part No. / Drawing No.
F-1	Vertical Long Bumper	3	35041 / 27207-LMF

RP35044-D: Replacement Bumper Vertical Right Front

Index #	Description	Quantity	Part No. / Drawing No.
F-7	Vertical Short Bumper	1	35044 / 27208-LMF

RPC06-1240: Replacement Blank Plastic Security Panel

Index #	Description	Quantity	Part No. / Drawing No.
F-10	Security Panel	1	C06-1240 / 27695-LMF

RPF04-227: Replacement 8-32X1/4 Screw

Index #	Description	Quantity	Part No. / Drawing No.
F-11	PHL Truss Head Screw 8-32 X 1/4	2	F04-227 / N/A

G. 600 CART STANDARD ASSEMBLY AND CHASSIS ASSEMBLY (10-TIER, 9-TIER)

Refer to Page 35-38 for Replacement Part Numbers, Description and Part Numbers

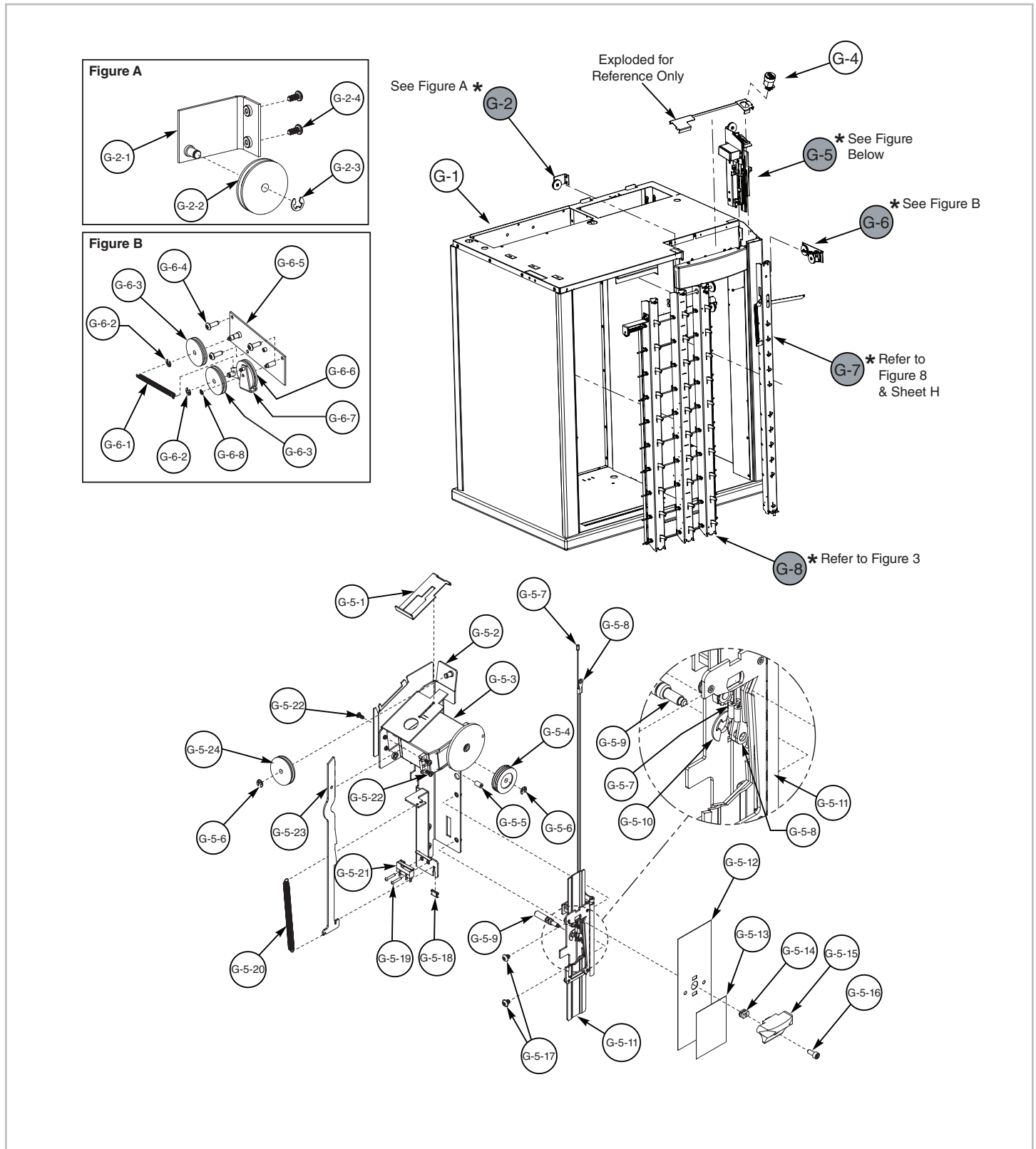


FIGURE 7: STANDARD ASSEMBLY AND CHASSIS ASSEMBLY 600 CART

G. 600 Cart Standard Assembly and Chassis Assembly - Part Reference

Index #	Description	Quantity	Part No. / Drawing No.
G-1	Body Assembly	1	30000 / 26957-LMF
G-2	Side Cable Guide Assembly	1	32003-1 / 27548-LMF
G-3	Christmas Tree Clip	1	35228 / 27707-LMF
G-4	Cart Lock Assembly	1	32170 / 27764-LMF
G-5	600 Cart Chassis Assembly (10-TIER)	1	30104 / 27362-LMF
	600 Cart Chassis Assembly (9-TIER)		30209 / 27769-LMF
G-6	Cable Tensioner Sub Assembly	1	32145 / 27572-LMF
G-7	600 Drawer Latch Assembly (Refer to Figure 8 and Sheet H for Part Details)	1	32161 / 27530-LMF
G-8	Cassette Latch Assembly (10-TIER) (Refer to Figure 3 for Part Details)	1	32222 / 27369-LMF
	Cassette Latch Assembly (9-TIER) (Refer to Figure 3 for Part Details)	1	32223 / 27370-LMF

* *Follow The Instructions Provided In Respective Figures*

G. 600 Cart Standard Assembly and Chassis Assembly - RP Kit***RP-32003-2: Cable Guide Assembly, Side, 4/800***

Index #	Description	Quantity	Part No. / Drawing No.
G-2	Side Cable Guide Assembly	1	32003-1 / 27548-LMF
G-2-1	Bracket Pulley	1	32051 / 27504-LMF
G-2-2	Cable Pulley	1	32031 / 27470-LMF
G-2-3	Retaining E-Ring 3-16 E # 1R-1000-18	1	F07-139 / N/A
G-2-4	# 4-40 x .25 Long Cross Phillips Head Machine Screw	2	F04-409 / N/A

RP32031: Replacement Pulley, Cable Sava

Index #	Description	Quantity	Part No. / Drawing No.
G-2-2	Cable Pulley	1	32031 / 27470-LMF
	Retaining E-Ring 3-16 E # 1R-1000-18	2	F07-139 / N/A

RP-32170: Replacement Part Cart Lock Assembly

Index #	Description	Quantity	Part No. / Drawing No.
G-4	Cart Lock Assembly	1	32170 / 27764-LMF

RP30104: Replacement Chassis 600

Index #	Description	Quantity	Part No. / Drawing No.
G-5	600 Cart Chassis Assembly (10-TIER)	1	30104 / 27362-LMF
G-5-1	Lock Release Slider	1	32036 / 27471-LMF
G-5-2	Chassis	1	32011 / 27363-LMF
G-5-3	Main Servo Assembly	1	34002 / 34002
G-5-4	Triple Groove Pulley	1	32030 / 27466-LMF
G-5-5	Standoff Retainer	1	32146 / 27467-LMF
G-5-6	3/16 E - Retaining Ring	2	F07-139 / N/A
G-5-7	600 Cable Assembly (Cassette Latch)	1	32009 / 27464-LMF
G-5-8	600 Cable Assembly (Drawer Latch) (Applicable to 600 Cart 10-Tier Only)	1	32010 / 27463-LMF
G-5-9	Knob Bracket Shaft	1	32032 / 27465-LMF
G-5-10	1/4 E - Retaining Ring	1	F07-141 / N/A
G-5-11	Slide Assembly	1	32012 / 27366-LMF
G-5-12	Trim Shield	1	32026 / 27472-LMF
	Trim Shield	1	C09-1200 / 27472-LMF
G-5-13	Handle Color Decal	1	36007 / 27476-LMF
G-5-14	Knob Mount Nut	1	32027 / 27473-LMF
G-5-15	Knob	1	32028-MB / 27474-LMF
	Knob	1	32028 / 27474-LMF
G-5-16	#6-32 x .38 Long Hex SHCS, Nylock Patch on Threads	1	F04-408 / N/A
G-5-17	#8-32 X 3/16 HEX Socket Screw	2	F04-446 / N/A
G-5-18	U-Type Clip	1	36029 / 27475-LMF
G-5-19	# 2-56 X 1/2" Button Head Cap Screw	2	F04-326 / N/A

Index #	Description	Quantity	Part No. / Drawing No.
G-5-20	Arm Spring	1	32035 / 27469-LMF
G-5-21	Subminiature Switch	1	34005 / 34005
G-5-22	PHL #4-40 X 1/4 Screw	5	F04-404 / N/A
G-5-23	Lock Arm	1	32033 / 27468-LMF
G-5-24	Pulley Cable	1	32031 / 27470-LMF

RP30209CX: Chassis Servo Assembly 600 9 Tier

Index #	Description	Quantity	Part No. / Drawing No.
G-5	600 Cart Chassis Assembly (9-TIER)	1	30209 / 27769-LMF
G-5-1	Lock Release Slider	1	32036 / 27471-LMF
G-5-2	Chassis	1	32011 / 27363-LMF
G-5-3	Main Servo Assembly	1	34002 / 34002
G-5-4	Triple Groove Pulley	1	32030 / 27466-LMF
G-5-5	Standoff Retainer	1	32146 / 27467-LMF
G-5-6	3/16 E - Retaining Ring	2	F07-139 / N/A
G-5-7	600 Cable Assembly (Cassette Latch)	1	32009 / 27464-LMF
G-5-8	600 Cable Assembly Latch Mechanism (Applicable to 600 Cart 9-Tier Only)	1	32295 / 27554-LMF
G-5-9	Knob Bracket Shaft	1	32032 / 27465-LMF
G-5-10	1/4 E - Retaining Ring	1	F07-141 / N/A
G-5-11	Slide Assembly	1	32012 / 27366-LMF
G-5-12	Trim Shield	1	C09-1200 / 27472-LMF
G-5-13	Handle Color Decal	1	36007 / 27476-LMF
G-5-14	Knob Mount Nut	1	32027 / 27473-LMF
G-5-15	Knob	1	32028-MB / 27474-LMF
	Knob	1	32028 / 27474-LMF
G-5-16	#6-32 x .38 Long Hex SHCS, Nylock Patch on Threads	1	F04-408 / N/A
G-5-17	#8-32 X 3/16 HEX Socket Screw	2	F04-446 / N/A
G-5-18	U-Type Clip	1	36029 / 27475-LMF
G-5-19	# 2-56 X 1/2" Button Head Cap Screw	2	F04-326 / N/A
G-5-20	Arm Spring	1	32035 / 27469-LMF
G-5-21	Subminiature Switch	1	34005 / 34005
G-5-22	PHL #4-40 X 1/4 Screw	5	F04-404 / N/A
G-5-23	Lock Arm	1	32033 / 27468-LMF
G-5-24	Pulley Cable	1	32031 / 27470-LMF

RP32036: Replacement Slider, Lock Release

Index #	Description	Quantity	Part No. / Drawing No.
G-5-1	Lock Release Slider	1	32036 / 27471-LMF
	Rivet, Nylon	4	F07-186 / 80050
	Screw, PPH SEMS, 4-40 X .250, RoHS, UNC	2	9000010404

RP32009: Replacement Cable, Assembly 600 Cassette

Index #	Description	Quantity	Part No. / Drawing No.
G-5-7	600 Cable Assembly (Cassette Latch)	1	32009 / 27464-LMF

RP32010: Replacement Cable Assembly Drawer Latch

Index #	Description	Quantity	Part No. / Drawing No.
G-5-8	600 Cable Assembly (Drawer Latch) (Applicable to 600 Cart 10-Tier Only)	1	32010 / 27463-LMF
G-5-8	600 Cable Assembly Latch Mechanism (Applicable to 600 Cart 9-Tier Only)	1	32295 / 27554-LMF

RP36007: Replacement Decal for Lock Handle, Quantity 8

Index #	Description	Quantity	Part No. / Drawing No.
G-5-13	Handle Color Decal	1	36007 / 27476-LMF

RP32028: Replacement Knob Kit, MED CART, Quantity 4

Index #	Description	Quantity	Part No. / Drawing No.
G-5-15	Knob	1	32028-MB / 27474-LMF
	Knob	1	32028 / 27474-LMF

RP36029: Replacement U Clip, Chassis Servo Assembly Quantity 20

Index #	Description	Quantity	Part No. / Drawing No.
G-5-18	U-Type Clip	1	36029 / 27475-LMF

RP34005: Replacement Switch, Subminiature, Quantity 4

Index #	Description	Quantity	Part No. / Drawing No.
G-5-21	Subminiature Switch	1	34005 / 34005

RP32031: Replacement Pulley, Cable Sava

Index #	Description	Quantity	Part No. / Drawing No.
G-5-24	Pulley Cable	1	32031 / 27470-LMF
	Retaining E-Ring 3-16 E # 1R-1000-18	2	F07-139 / N/A

RP-32145: Cable Tensioner Subassembly

Index #	Description	Quantity	Part No. / Drawing No.
G-6	Cable Tensioner Sub Assembly	1	32145 / 27572-LMF
G-6-1	Spring Tensioner	1	32160 / 27529-LMF
G-6-2	Retaining E-Ring 3-16 E # IR-1000-18	2	F07-139 / N/A
G-6-3	Cable Pulley	2	32031 / 27470-LMF

RP32160: Replacement Spring Tensioner, Quantity 2

Index #	Description	Quantity	Part No. / Drawing No.
G-6-1	Spring Tensioner	1	32160 / 27529-LMF

RP32031: Replacement Pulley, Cable Sava

Index #	Description	Quantity	Part No. / Drawing No.
G-6-3	Cable Pulley	2	32031 / 27470-LMF
	Retaining E-Ring 3-16 E # IR-1000-18	4	F07-139 / N/A

H. 600 CART DRAWER LATCH ASSEMBLY (10-TIER, 9-TIER)

Refer to Page 40-41 for Replacement Part Numbers, Description and Part Numbers

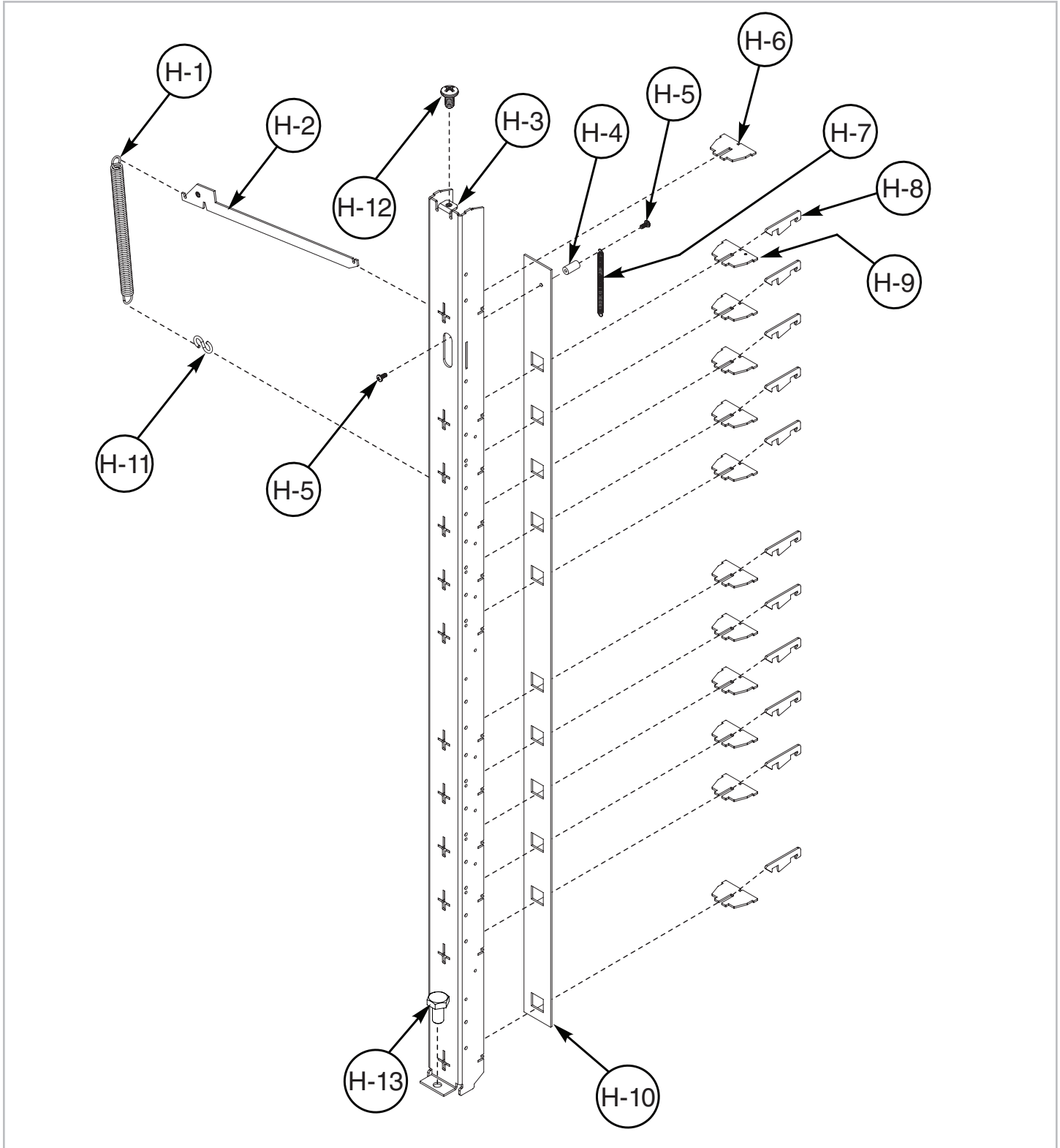


FIGURE 8: 600 CART DRAWER LATCH ASSEMBLY (10-TIER, 9-TIER)

H. 600 Cart Drawer Latch Assembly - Part Reference

Index #	Description	Quantity	Part No. / Drawing No.
H-1	Drawer Latch Spring	1	32102 / 27483-LMF
H-2	Drawer Latch Arm	1	32166 / 27535-LMF
H-3	Drawer Latch Channel	1	32162 / 27576-LMF
H-4	Standoff for Drawer Latch	1	32185 / 27538-LMF
H-5	PHL #4-40 X 1/4 Pan Head Screw	2	F04-404 / N/A
H-6	Finger Support Plate	11	32164 / 27569-LMF
H-7	Spring for Drawer Latch	1	32186 / 27539-LMF
H-8	Drawer Latch Finger	11	32165 / 27534-LMF
H-9	Finger Support Plate with Hole	1	32164-1 / 27533-LMF
H-10	Drawer Latch Lifter	1	32163 / 27532-LMF
H-11	S-Hook	1	32168 / 27537-LMF
H-12	#6-32 x .25 Long Cross Phillips Head Machine Screw	1	F04-411 / N/A
H-13	#1/4-20 NC X 1/2 Hexagonal Head Screw	1	F04-093 / N/A

* *Follow The Instructions Provided In Respective Figures*

H. 600 Cart Drawer Latch Assembly - RP Kit***RP-32161-CS1: 600 Cart Retrofit Channel with Switch******RP-32161-FR: Channel Field Retrofit 600 Cart***

Index #	Description	Quantity	Part No. / Drawing No.
H-1	Drawer Latch Spring	1	32102 / 27483-LMF
H-2	Drawer Latch Arm	1	32166 / 27535-LMF
H-3	Drawer Latch Channel	1	32162 / 27576-LMF
H-4	Standoff for Drawer Latch	1	32185 / 27538-LMF
H-5	PHL #4-40 X 1/4 Pan Head Screw	2	F04-404 / N/A
H-6	Finger Support Plate	11	32164 / 27569-LMF
H-7	Spring for Drawer Latch	1	32186 / 27539-LMF
H-8	Drawer Latch Finger	11	32165 / 27534-LMF
H-9	Finger Support Plate with Hole	1	32164-1 / 27533-LMF
H-10	Drawer Latch Lifter	1	32163 / 27532-LMF
H-11	S-Hook	1	32168 / 27537-LMF
H-12	#6-32 x .25 Long Cross Phillips Head Machine Screw	1	F04-411 / N/A
H-13	#1/4-20 NC X 1/2 Hexagonal Head Screw	1	F04-093 / N/A

RP32166: Replacement Arm, Drawer Latch

Index #	Description	Quantity	Part No. / Drawing No.
H-2	Drawer Latch Arm	1	32166 / 27535-LMF

Lionville Series Locks and Keys 400, 600, 800 and Ipoint Carts

Lionville Series Locks and Keys 400, 600, 800 and Ipoint Carts	Part Number to Order	Mark Order With
"S" Key Core (User Lock Core)	RP-01165-3-A	Hospital Code, Pin to specific S#
"N" Key Core (Narc Lock Core)	RP-01165-3-G	Hospital Code, Pin to specific N#
IS Lock	RP-06843-3-A	Pin to IS

J. 400-600-800 MEDICATION CART OPTIONS AND ACCESSORIES

CASTER OPTIONS		
DESCRIPTION	PART NO. / DRAWING NO.	RP KIT NO.
CASTERS, 4 STANDARD, NO LOCK, NO BRAKE	403881 / 27770-LMF	N/A
CASTERS, 3 STANDARD, 1 LOCK, NO BRAKES	403882 / 27770-LMF	N/A
CASTERS, 3 STANDARD, NO LOCK, 1 BRAKE	403883 / 27772-LMF	N/A
CASTERS, 2 STANDARD, NO LOCK, 2 BRAKES	403884 / 27773-LMF	N/A
CASTERS, 1 STANDARD, 1 LOCK, 2 BRAKE	403819 / 27778-LMF	N/A
CASTERS, 2 STANDARD, 1 LOCK, 1 BRAKE	403827 / 27777-LMF	N/A
LOCKING OPTIONS-UNIVERSAL		
DESCRIPTION	PART NO. / DRAWING NO.	RP KIT NO.
KIT, AUTOMATIC RELOCKING	403864 / 403864	N/A
LOCKING OPTIONS-KEY OPERATED		
DESCRIPTION	PART NO. / DRAWING NO.	RP KIT NO.
KEY LOCK-NO AUTORELOCK, MED CARTS 400, TOP WITH WELL	403855 / N/A	N/A
KEY LOCK-NO AUTORELOCK, MED CARTS 600, TOP WITH WELL	403856 / 403856	N/A
KEY LOCK-NO AUTORELOCK, MED CARTS 800, TOP WITH WELL	403857 / 403857	N/A
KEY LOCK-NO AUTORELOCK, MED CARTS 400, TOP WITH MINI BIN	403858 / N/A	N/A
KEY LOCK-NO AUTORELOCK, MED CARTS 600, TOP WITH MINI BIN	403859 / N/A	N/A
KEY LOCK-NO AUTORELOCK, MED CARTS 800, TOP WITH MINI BIN	403860 / 403860	N/A
KEY LOCK-NO AUTORELOCK, MED CARTS 400, TOP WITH CHUTE	403861 / 403861	N/A
KEY LOCK-NO AUTORELOCK, MED CARTS 600, TOP WITH CHUTE	403862 / 403862	N/A
KEY LOCK-NO AUTORELOCK, MED CARTS 800, TOP WITH CHUTE	403863 / 403863	N/A
KEY LOCK-WITH AUTORELOCK, MED CARTS 400, TOP WITH WELL	403506 / N/A	N/A
KEY LOCK-WITH AUTORELOCK, MED CARTS 600, TOP WITH WELL	403507 / N/A	N/A
KEY LOCK-WITH AUTORELOCK, MED CARTS 800, TOP WITH WELL	403508 / 403508	N/A
KEY LOCK-WITH AUTORELOCK, MED CARTS 400, TOP WITH MINI BIN	403509 / N/A	N/A
KEY LOCK-WITH AUTORELOCK, MED CARTS 600, TOP WITH MINI BIN	403510 / N/A	N/A
KEY LOCK-WITH AUTORELOCK, MED CARTS 800, TOP WITH MINI BIN	403511 / 403511	N/A
KEY LOCK-WITH AUTORELOCK, MED CARTS 400, TOP WITH CHUTE	403512 / N/A	N/A
KEY LOCK-WITH AUTORELOCK, MED CARTS 600, TOP WITH CHUTE	403513 / N/A	N/A
KEY LOCK-WITH AUTORELOCK, MED CARTS 800, TOP WITH CHUTE	403514 / 403514	N/A
LOCKING OPTIONS-BASIC KEYPAD OPERATED		
DESCRIPTION	PART NO. / DRAWING NO.	RP KIT NO.
BASIC KEYPAD-NO AUTORELOCK, MED CARTS 400, TOP WITH WELL	403846 / 403846	N/A
BASIC KEYPAD-NO AUTORELOCK, MED CARTS 600, TOP WITH WELL	403847 / 403847	N/A
BASIC KEYPAD-NO AUTORELOCK, MED CARTS 800, TOP WITH WELL	403848 / 403848	N/A
BASIC KEYPAD-NO AUTORELOCK, MED CARTS 400, TOP WITH MINI BIN	403849 / 403849	N/A
BASIC KEYPAD-NO AUTORELOCK, MED CARTS 600, TOP WITH MINI BIN	403850 / 403850	N/A
BASIC KEYPAD-NO AUTORELOCK, MED CARTS 800, TOP WITH MINI BIN	403851 / 403851	N/A
BASIC KEYPAD-NO AUTORELOCK, MED CARTS 400, TOP WITH CHUTE	403852 / 403852	N/A
BASIC KEYPAD-NO AUTORELOCK, MED CARTS 600, TOP WITH CHUTE	403853 / 403853	N/A
BASIC KEYPAD-NO AUTORELOCK, MED CARTS 800, TOP WITH CHUTE	403854 / 403854	N/A
BASIC KEYPAD-WITH AUTORELOCK, MED CARTS 400, TOP WITH WELL	403515 / 403515	N/A
BASIC KEYPAD-WITH AUTORELOCK, MED CARTS 600, TOP WITH WELL	403516 / 403516	N/A
BASIC KEYPAD-WITH AUTORELOCK, MED CARTS 800, TOP WITH WELL	403517 / 403517	N/A
BASIC KEYPAD-WITH AUTORELOCK, MED CARTS 400, TOP WITH MINI BIN	403518 / 403518	N/A

Continue on Page #44

400-600-800 MEDICATION CARTS — ILLUSTRATED PARTS CATALOG

BASIC KEYPAD-WITH AUTORELOCK, MED CARTS 600, TOP WITH MINI BIN	403519 / 403519	N/A
BASIC KEYPAD-WITH AUTORELOCK, MED CARTS 800, TOP WITH MINI BIN	403520 / 403520	N/A
BASIC KEYPAD-WITH AUTORELOCK, MED CARTS 400, TOP WITH CHUTE	403521 / 403521	N/A
BASIC KEYPAD-WITH AUTORELOCK, MED CARTS 600, TOP WITH CHUTE	403522 / 403522	N/A
BASIC KEYPAD-WITH AUTORELOCK, MED CARTS 800, TOP WITH CHUTE	403523 / 403523	N/A
LOCKING OPTIONS-LCD KEYPAD OPERATED		
DESCRIPTION	PART NO. / DRAWING NO.	RP KIT NO.
LCD KEYPAD OPERATED ASSEMBLY, MED CARTS 400, TOP WITH WELL	403837 / N/A	N/A
LCD KEYPAD OPERATED ASSEMBLY, MED CARTS 600, TOP WITH WELL	403838 / 403838	N/A
LCD KEYPAD OPERATED ASSEMBLY, MED CARTS 800, TOP WITH WELL	403839 / 403839	N/A
LCD KEYPAD OPERATED ASSEMBLY, MED CARTS 400, TOP WITH MINI BIN	403840 / N/A	N/A
LCD KEYPAD OPERATED ASSEMBLY, MED CARTS 600, TOP WITH MINI BIN	403841 / 403841	N/A
LCD KEYPAD OPERATED ASSEMBLY, MED CARTS 800, TOP WITH MINI BIN	403842 / 403842	N/A
LCD KEYPAD OPERATED ASSEMBLY, MED CARTS 400, TOP WITH CHUTE	403843 / N/A	N/A
LCD KEYPAD OPERATED ASSEMBLY, MED CARTS 600, TOP WITH CHUTE	403844 / 403844	N/A
LCD KEYPAD OPERATED ASSEMBLY, MED CARTS 800, TOP WITH CHUTE	403845 / 403845	N/A
MONITOR MOUNTING OPTIONS		
DESCRIPTION	PART NO. / DRAWING NO.	RP KIT NO.
KIT, PIVOT ARM MOUNT BASE	403836 / 403836	N/A
MOUNT READY ASSEMBLY	403835 / 403835	N/A
SINGLE PIVOT - SINGLE MONITOR	403834 / 403834	N/A
LAPTOP MOUNTING OPTIONS		
DESCRIPTION	PART NO. / DRAWING NO.	RP KIT NO.
MOUNT, LAPTOP SECURITY TRAY, KEYBOARD COVERED	403831 / 403831	N/A
MOUNT, LAPTOP SECURITY TRAY WITH SLIDES, KEYBOARD COVERED	403830 / 403830	N/A
MOUNT, LAPTOP SECURITY TRAY WITH MOUSE TRAY, KEYBOARD ACCESSIBLE	403829 / 403829	N/A
MOUNT, LAPTOP SECURITY TRAY WITH SLIDES AND MOUSE TRAY, KEYBOARD ACCESSIBLE	403828 / 403828	N/A
COMPUTER SYSTEM OPTIONS		
DESCRIPTION	PART NO. / DRAWING NO.	RP KIT NO.
WIRING TRAY, GENERIC, NOTEBOOK, MED CARTS	403885 / N/A	N/A
WIRING TRAY, GENERIC, MINI PC/THIN CLIENT, MED CARTS	403886 / 403886	N/A
WIRING TRAY, GENERIC, AIO, MED CARTS	403887 / 403887	N/A
KIT, DELL E6410/6420 W-REMOTE INTERFACE	403888 / N/A	N/A
WIRING TRAY, GENERIC, AIO WITH INVERTER, MED CARTS	403889 / N/A	N/A
KIT, TANGENT RUGGED MINI, GM	403890 / N/A	N/A
WIRING TRAY, GENERIC NOTEBOOK W/ SAMLEX INVERTER	403891 / N/A	N/A
WIRING TRAY, GENERIC, MINI PC/THIN CLIENT W/ SAMLEX INVERTER	403892 / N/A	N/A
KIT, DELL 790, AC	403893 / N/A	N/A
KIT, TANGENT MEDIX 1700SF, AIO	403895 / N/A	N/A
KIT, WYSE V90, THIN CLIENT	403896 / N/A	N/A
KIT, TANGENT VITA LT, AIO	403897 / N/A	N/A

Continue on Page #45

ACCESSORIES

KEYBOARD PULLOUT, FRONT		
DESCRIPTION	PART NO. / DRAWING NO.	RP KIT NO.
KEYBOARD TRAY, FRONT OPENING	32294 / 32294	RP-32294
WASTE BINS		
DESCRIPTION	PART NO. / DRAWING NO.	RP KIT NO.
MINI WASTE BIN	35201-D / 35201	N/A
WASTE BIN, TILT OUT REAR, 19" HIGH	403876 / 403876	N/A
WASTE BIN, TILT OUT REAR, 24" HIGH	403877 / N/A	N/A
WASTE BIN, SIDE MOUNTED, 15" HIGH	403878 / N/A	N/A
WASTE BIN, SIDE MOUNTED, 19" HIGH	403879 / N/A	N/A
WASTE BIN, SIDE MOUNTED, 24" HIGH	403880 / N/A	N/A
CASSETTE DRAWERS		
DESCRIPTION	PART NO. / DRAWING NO.	RP KIT NO.
2-TIER CASSETTE	35002 / 27274-LMF	N/A
1-TIER CASSETTE	35001 / 27273-LMF	N/A
PATIENT DRAWER, 7 INCH	35006 / 27355-LMF	N/A
PATIENT DRAWER, 5 INCH	35007 / 27356-LMF	N/A
FACE PLATE, PATIENT DRAWER	35008 / 27276-LMF	N/A
STORAGE DRAWERS		
DESCRIPTION	PART NO. / DRAWING NO.	RP KIT NO.
1-TIER STORAGE DRAWER (AL)	30220 / 27346-LMF	RP-30220-CL / RP-30220-DL / RP-30220-S / RP-30220-SL / RP-30220-W / RP-30220-WL
2-TIER STORAGE DRAWER (AL)	30221 / 27347-LMF	RP-30221-C / RP-30221-CL / RP-30221-D / RP-30221-DL / RP-30221-S / RP-30221-SL / RP-30221-W / RP-30221-WL
3-TIER STORAGE DRAWER (AL)	30222 / 27348-LMF	RP-30222-C / RP-30222-CL / RP-30222-D / RP-30222-DL / RP-30222-S / RP-30222-SL / RP-30222-W / RP-30222-WL
4-TIER STORAGE DRAWER (AL)	30223 / 27349-LMF	RP-30223-C / RP-30223-CL / RP-30223-D / RP-30223-DL / RP-30223-S / RP-30223-SL / RP-30223-W / RP-30223-WL
2-TIER STORAGE DRAWER (AL)	35112 / 27351-LMF	RP-35112-C / RP-35112-D / RP-35112-S / RP-35112-W
STORAGE DRAWER HANDLE	35019 / 27049-LMF	RP-35019-C / RP-35019-D / RP-35019-S / RP-35019-W
600 CART STORAGE DRAWER, 4-INCH HIGH	30097 / 27338-LMF	RP-30097-DL / RP-30097-S / RP-30097-SL / RP-30097-W / RP-30097-WL
600 CART STORAGE DRAWER, 8-INCH HIGH	30098 / 27339-LMF	RP-30098-C / RP-30098-CL / RP-30098-D / RP-30098-S / RP-30098-SL / RP-30098-W / RP-30098-WL
600 CART STORAGE DRAWER, 10-INCH HIGH	30099 / 27340-LMF	RP-30099-C / RP-30099-CL / RP-30099-D / RP-30099-DL / RP-30099-W / RP-30099-WL

Continue on Page #46

400-600-800 MEDICATION CARTS — ILLUSTRATED PARTS CATALOG

MISCELLANEOUS		
DESCRIPTION	PART NO. / DRAWING NO.	RP KIT NO.
KIT, WALL LOCK	32169 / N/A	N/A
IV POLE, WITH 2 HOOKS	404414 / N/A	N/A
KIT, HALOGEN LIGHT	34065-LA / 34065	RP-34065-LA
SHARPS BRACKET	404418 / 404418	N/A
STORAGE BINS	403530 / 403530	N/A
SHELVING, MED CART, REAR CAVITY	403826 / 403826	N/A
POWER SUPPLY KIT		
DESCRIPTION	PART NO. / DRAWING NO.	RP KIT NO.
POWER SUPPLY KIT, MED CART, GROUND CABLE ASSEMBLY ONLY	403865 / N/A	RP-403865
POWER SUPPLY KIT AC, TRIPP-LITE 32-150, MED CART	403866 / 403866	N/A
POWER SUPPLY KIT AC, TRIPP-LITE 52-150, MED CART	403867 / 403867	N/A
POWER SUPPLY KIT AC, TRIPP-LITE 32-350, MED CART	403868 / 403868	N/A
POWER SUPPLY KIT DC, LI-NANO, MED CART 800	403870 / 403870	N/A
POWER SUPPLY KIT DC, NiMH, MED CART 800	403871 / N/A	N/A
POWER SUPPLY KIT DC, LI-NANO, MED CART 600	403872 / N/A	N/A
POWER SUPPLY KIT DC, NiMH, MED CART 600	403873 / N/A	N/A
POWER SUPPLY KIT DC, LI-NANO, MED CART 400	403874 / N/A	N/A
POWER SUPPLY KIT DC, NiMH, MED CART 400	403875 / N/A	N/A

K. OTHER REPLACEMENT PARTS

REPLACEMENT PARTS	
DESCRIPTION	RP KIT NO.
REPL LOCK ASS'Y KIT, BEST, G KEYWAY	RP00824-CG
REPL LOCK, LESS CAM, FOR 5 PIN CORE	RP01102
REPL LOCK, LESS CORE WITH NUT	RP-01102-3
REPL CORE, BEST ASSY W/2 KEYS	RP01165-C
REPL CORE ASSEMBLY, G KEYWAY, w/2 KEYS	RP01165-CG
7 PIN CAM LOCK A, KEY TO SERVICE SPEC	RP-06843-3-A
7 PIN CAM LOCK G, KEY TO SERVICE SPEC	RP-06843-3-G
REPL CLAMP, WIRE, QTY4	RP07876
REPL BRACKET, SWIVEL LOCKING, FOR 8 INCH CASTER	RP08647
REPL 8" CASTER SWIVEL QTY4 W/DIR BKT	RP09652KIT
REPL 6 INCH CASTER, SWIVEL LOCK	RP21081
REPL BRAKE, 6"D CASTER (32 TIER TRA	RP21082-2
REPL FUSE, SLO-BLO, 2 AMP, QTY 4	RP21108
REPL O-RING #129-S70 SILICONE WHITE, QTY 4	RP21158
REPL DRAWER SLIDE 16" PR.	RP21572
REPL CASTER, 5" W/POSILOCK BRAKE	RP21776
REPL CASTER 6 INCH SWIVEL PLAIN	RP21777
REPL CASTER 6" W/POSILOCK BRAKE	RP21778
REPL KEY, COMBINATION CHANGE	RP22007
REPL FLX,HWD,CHARGER,SLA BATTERY,12V	RPC13-513
REPL WASTE STOP, TILT OUT 400,600,800	RP30016
REPL PULL-OUT SIDE SHELVES RACK KIT 400, 800 CART	RP30066-D
12" SIDE PULL OUT TRAY, 400/800	RP-30100
REPL ALL DRAWER CONFIG PLATE	RP-30122-D
ACCESSORY RAIL ASSEMBLY FOR MED CART W/O CLIPS	RP-30153
REPL LOCK CYLINDER ASSY. W/CORE & 2 KEYS - TRANSFER CART	RP30349-C
REPL CASSTTE BRACKET, FINISH	RP30350
DOOR ASSY, 48 TIER TR CART	RP-30513
REPL CABLE GUIDE ASSY, TOP, 400/600	RP32004
CASSETTE LATCH ASSY, 400L/600	RP32005-1
CASSETTE LATCH ASSY, 400R/800	RP32005-2
REPL SPRING, TORSION, QTY 4	RP32068
REPL BRACKET, NARC LOCK, QTY 3	RP-32080
REPL CAM, NARC. ,LOCK, QTY 20	RP-32081
REPL SLIDER, NARC LOCK, QTY 3	RP-32082
REPL SPRING, SLIDER COMPRESSION, QTY 4	RP-32083
REPL SPACER, SPRING SUPPORT, QTY 20	RP-32084
REPL STRIKER BLOCK	RP32086
REPL BRACKET SERVO, CASSETTE SECTION 400,600,800	RP32087-2
REPL SHAFT, SERVO RIGHT	RP32088-1
REPL SHAFT, SERVO, CASSETTE SIDE, 400,600,800	RP32088-2
REPL ACTUATOR, NARC AUTOLOCK, QTY 10	RP32089

400-600-800 MEDICATION CARTS — ILLUSTRATED PARTS CATALOG

DESCRIPTION	RP KIT NO.
REPL NARC AUTOLOCK SPLINE COUPLING, QTY 10	RP32090
REPL SPRING, NARC. LOCK SHAFT, LEE, QTY 4	RP32091
REPL CAM, KEY LOCK, QTY 10	RP32106
REPL SPRING, KEYLOCK, BEST LOCK, QTY 10	RP32107
RACK LOCK ASSEMBLY	RP-32120
WALL LOCK CABLE AND PLATE ONLY (CART MUST HAVE ACTORY RECEPTACLE)	RP-32135
REPL CABLE ASSY RACK LOCK, MFG. # 205495	RP32142
REPL RAMP DETENT, KT, QTY 4	RP32183KIT
REPL LATCH, SAFE PUSH MC-37 WHITE	RP32218
REPL GEAR / SPRING ASSE	RP32224
REPL SLIDE, FOR 18' SIDE TRAY, QTY 2	RP32264
REPL GROMMET ONLY, TOP REAR PANEL	RP32290
REPL SLIDE, 18 INCH FOR SIDE 18 INCH TRAY 400 QTY. 1 PR	RP32376
REPL SLIDE, C2601-12	RP32377
REPL PANEL MTG. FUSE HOLDER, COOPER, QTY 6	RP34258
KEYBOARD SIDE TRAY W/ LAZY SUSAN	RP-32461
REPL STRIKER BRACKET, QTY 2	RP-32477
REPL LATCH STRIKER, RIGHT	RP32483
REPL BRACKET, ROLLER CATCH STRIKER KIT, 400, 600, 800	RP32491
REPL BRACKET, ROLLER CATCH, REV B	RP32492
REPL LATCH STRIKER LEFT BRASS, QTY 4	RP32495
REPL SERVO, MAIN HS-700BB (31700-J)	RP34003
RP LIONVILLE MAIN SERVO, LMX	RPC13-1328
REPL KEYPAD, ELECTRONIC	RP34011
REPL DECAL, BEST LOCK	RPC05-1186
RECHARGER HARNESS	RP-34022
REPL LA5 PCB ASSEMBLY	RP34035
KEYLESS KIT CASSETTE SIDE	RP-34054
REPL SENDEC POWER CABLE, BATTERY	RP34081
REPL CABLE, PUSH BUTTON SWITCH	RP34089
REPL SENDEC PCB WITH TVS, 34092R, R	RP34092
REPL POWER STRIP, COILED CORD, CLAMPS, HOOK	RP34116KIT
RP PROX BRACKET COMPX	RPC06-1305
RP LOCKALERT BATT SET KIT	RP-LABATTSET
RP C09-1202 CORD HANGER WHW	RPC09-1202
RP 5 PACK LMDPM-CB W HW	RP-5PKLMDPM-CB
RP 5 PACK LMDPM-GR W HW	RP-5PKLMDPM-GR
RP 5 PACK LMDPM-TPE W HW	RP-5PKLMDPM-TPE
RP 5 PACK LMDPM-VL W HW	RP-5PKLMDPM-VL
RP 5 PACK LMDPM-SB W HW	RP-5PKLMDPM-SB
RP 5 PACK LMDP6-CB W HW	RP-5PKLMDP6-CB
RP 5 PACK LMDP6-GR W HW	RP-5PKLMDP6-GR
RP 5 PACK LMDP6-SB W HW	RP-5PKLMDP6-SB
RP 5 PACK LMDP6-TPE W HW	RP-5PKLMDP6-TPE
RP 5 PACK LMDP6-VL W HW	RP-5PKLMDP6-VL
RP CHASSIS 600 W COMPX SERVO	RP30104CX
RP CHASSIS 400 W COMPX SERVO	RP30110CX
RP CHASSIS 400R W COMPX SERVO	RP30110RCX
RP CHASSIS 800 W COMPX SERVO	RP30116CX

400-600-800 MEDICATION CARTS — ILLUSTRATED PARTS CATALOG

DESCRIPTION	RP KIT NO.
RP CHASSIS 800R W COMPX SERVO	RP30116RCX
RP CHASSIS 600 9 TIER W/COMPX SERVO	RP30209CX
REPL SPRING QTY OF 5 LV MED DRW	RP32102
REPL CABLE CLAMP, REV A, QTY 10	RP34126
REPL POWER CORD, 1 FT 3 IN, QTY 3	RP34181
REPL PANEL MTG. FUSE HOLDER, COOPER, QTY 6	RP34258
REPL CORAL 600 DRAWER PULL, QTY 3	RP-35020-C
DENIM 600 DRAWER PULL	RP-35020-D
STONE 600 DRAWER PULL	RP-35020-S
WILLOW 600 DRAWER PULL	RP-35020-W
REPL RIVET, NYLON DRIFTWOOD, QTY 20	RP35085
REPL CABLE CLAMP PANDUIT, QTY 10	RP36005-1
BLACK TUBULAR HANDLE FOR	RP-36104-P
REPL DETENT SPRING ASSEMBLY	RP36186
HANDLES, MED CART, 2 PER SET, DRIFTWOOD	RP-36212-P
REPL IV POLE-2 HOOK, W/HARDWARE	RP36256
PROXIMITY READER FOR LOCK ALERT 6	RP-50170
REPL NOTEBOOK ADAPTER BUSHING	RP50278
REPL COIL CORD TO WALL RECEPTACLE R	RP60176
LA6 DAUGHTER PCB	RP70002
HARNESS, LOCKALERT 6 TO PCB.	RP70012
MAIN CIRCUIT BOARD LA6 W/ DAUGHTER BOARD	RP-70100-1
REPL DETENT ASSEMBLY	RPA32380
REPL WRIST REST, IMED	RPC07-090
REPL POWER SUPPLY KIT, TRIPP LITE	RP-C13-671KIT
REPL BATTERY, 12V, 26A	RP605945-1
RP COIL CORD, 16AWG X 3C	RPC13-976

DESCRIPTION	RP KIT NO.
REPLACEMENT CHASSIS 800	QSRP-30116
REPL CHASSIS 800	RP30116
REPL CHASSIS 800 SERVO KEYPAD ONLY	RP30116K
REPL TOP, HDWE, LT TAUPE, 400 CART	RPC06-1221
REPL TOP, HDWE, LT TAUPE, 600 CART	RPC06-1222
REPL TOP, HDWE, LT TAUPE, 800 CART	RPC06-1223
REPL TOP, W/CHUTE, HDWE, LT TAUPE, 400 CART	RPC06-1221CH
REPL TOP, W/CHUTE, HDWE, LT TAUPE, 600 CART	RPC06-1222CH
REPL TOP, W/CHUTE, HDWE, LT TAUPE, 800 CART	RPC06-1223CH
REPL CASTERS, MED 400 600 800	RPLMCASTERS
REPL CASTER, MED 400 600 800	RPC02-397
REPL CASTER, MED 400 600 800	RPC02-398
REPL WIRELESS BOARD, ANTENNA, COMPONENTS FOR MED 400 600 800	RPLM420W-UPGRADE
800 TOP W/MINI WASTE KEYPAD, CUT HOLES	RP-30161
REPL 800 TOP W/MINI WASTE KEYPAD	RP30161-D
800 TOP W/MINI WASTE KEYPAD, CUT HOLES	RP-30162-2D
600 TOP W/MINI WASTE KEYPAD, CUT HOLES	RP-30163-D
REPL 600 COMPUTER READY TOP W/LA6	RP30164-2D
RP-30164-2D 600 CART TOP COMPUTER READY LA6 W/MINI WASTE KEYPAD, CUT HOLES	RP-30164-2D
400 COMPUTER READY TOP W/LA6, CUT HOLES	RP-30166-2D
TOP 800 SENDEC, W/O CHUTE CUT HOLES	RP-35051-1D
TOP 800, LA6 W/WELL CUT HOLES	RP-35051-3D
400 WELL TOP W/OUT LA6	RP-35052-1D
TOP 400 TOP, LAIV, NO CHUTE HOLES	RP-35052-2D
400 WELL TOP W/ LA6	RP-35052-3D
600 TOP, SENDEC, CHUTE	RP-35053-1D
TOP, 600, LA4, CHUTE, CUT HOLES	RP-35053-2D
TOP, LA6, CHUTE, CUT HOLES	RP-35053-3D
800 TOP W/CHUTE, SENDEC, CUT HOLES	RP-35054-1D
TOP, 800 CART LAIV, CHUTE, CUT HOLES	RP-35054-2D
800 CHUTE TOP W/ LA6	RP-35054-3D
TOP 400 CART, SENDEC, CHUTE, CUT HOLES	RP-35055-1D
TOP, 400 CART LA4, CHUTE, CUT HOLES	RP-35055-2D
400 CHUTE TOP W/ LA6	RP-35055-3D
RP LM207 HANDLE W/HW	RPLM207
RP LIONVILLE E-LOCK CAPACITOR	RPC13-1376
RP LV TRAN CART SHELF W/HW	RPC09-1183
RP LV MED CART TRIM SHIELD C09-1200	RPC09-1200

* Save this document for future application, load rating and/or safety reference.

© 2023 InterMetro Industries Corporation, Wilkes-Barre, PA 18705
L01-486 REV N 08/23



We put space to work.

an Ali Group Company



The Spirit of Excellence