

**BASIC / ADVANCED / WIRELESS STARSYS PROXIMITY LOCKING**



DESCRIPTION

**Basic/Advanced/Wireless Proximity Locking** – This instruction sheet covers part numbers and illustrations. Read the descriptions carefully to ensure desired part is ordered for replacement. Service Documentation - Do not leave with customer.

# NOTICE

**InterMetro Industries Corporation reserves the right to make improvements or changes to the products described in this manual at any time without notice.**

**While reasonable efforts have been made in the preparation of this document to assure its accuracy, InterMetro Industries Corporation assumes no liability resulting from any errors or omissions in this document, or from the use of the information contained herein.**

## **COPYRIGHT NOTICE:**

This manual is copyrighted. All rights reserved. This manual may be printed for personal use only. This manual, whole or in part, may not be copied, photocopied, reproduced, translated, or reduced to any electronic medium or machine-readable form for distribution. This manual, whole or in part, may not be modified without prior consent, in writing, from InterMetro Industries Corporation.

Copyright © 2020 by InterMetro Industries Corporation, 651 North Washington Street, Wilkes-Barre, PA 18705, U.S.A.

## **PLEASE NOTE:**

This illustrated parts catalogue is issued on condition that it is used only for the disassembly/assembly, identification of replacement parts in Advanced/Wireless Electronic Locks and is **NOT** disclosed to third parties except with the consent of InterMetro Industries Corporation.

## **PUBLISHED AS:**

Document No: L01-654

## **INTERMETRO CUSTOMER SERVICE**

### *InterMetro Industries Corporation Contact Information*

**InterMetro Industries Corporation**

**651 North Washington Street**

**Wilkes-Barre, PA 18705**

**For Information on iMed Products, Call: 1-800-992-1776**

### *InterMetro Customer Service*

**For all other customer service related issues, or if you need technical assistance, please call our customer service department at:**

**1-800-992-1776**

**+31 76 58 77550**

**+9714 811 8286**

**+65 6567 8003**

**Americas**

**Europe**

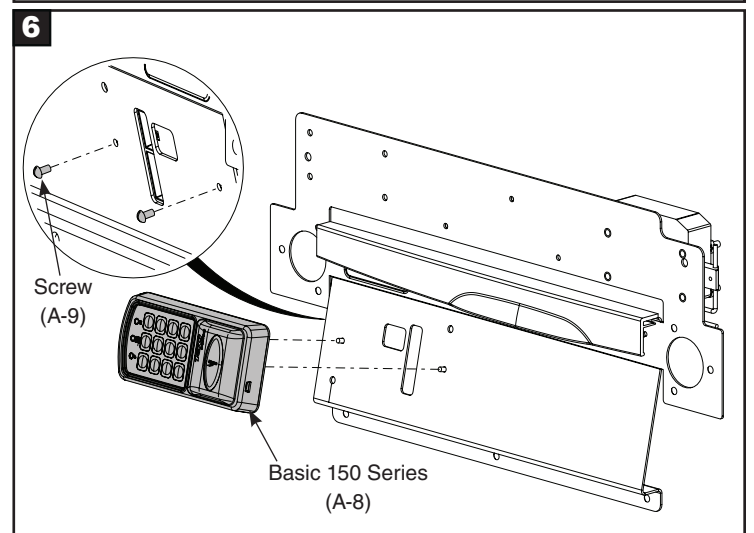
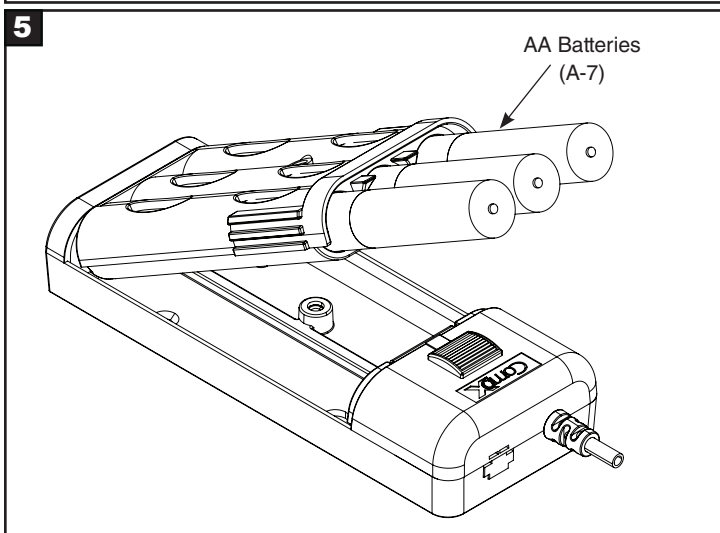
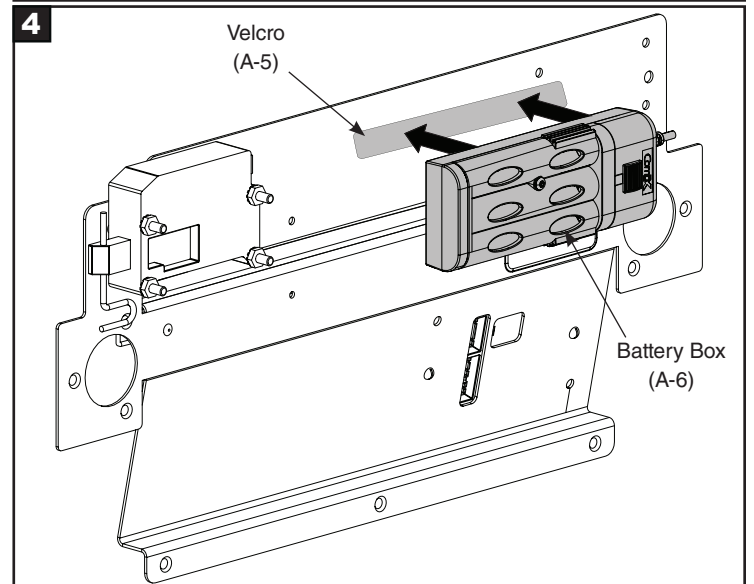
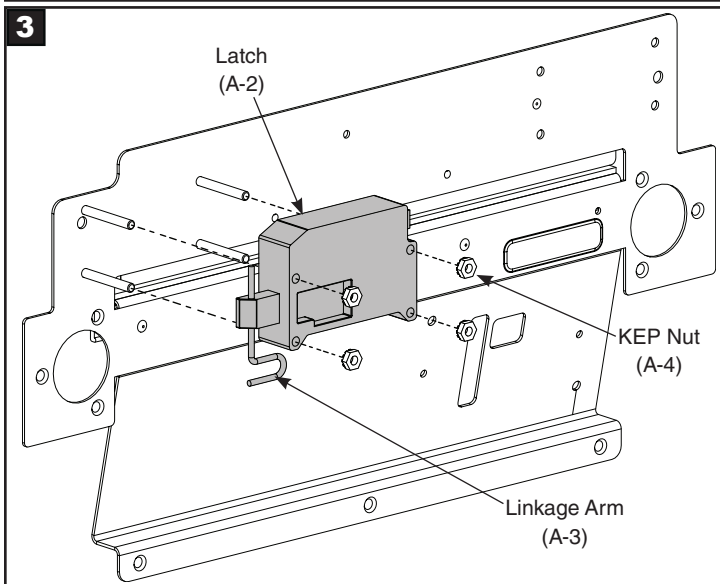
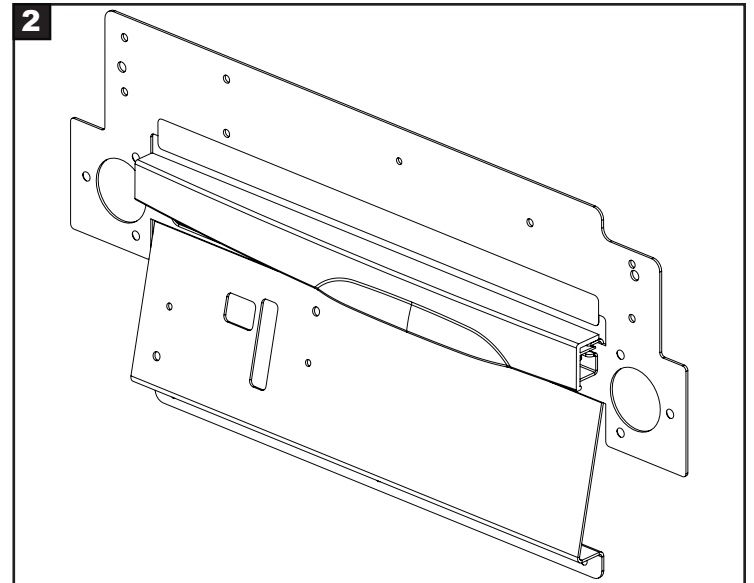
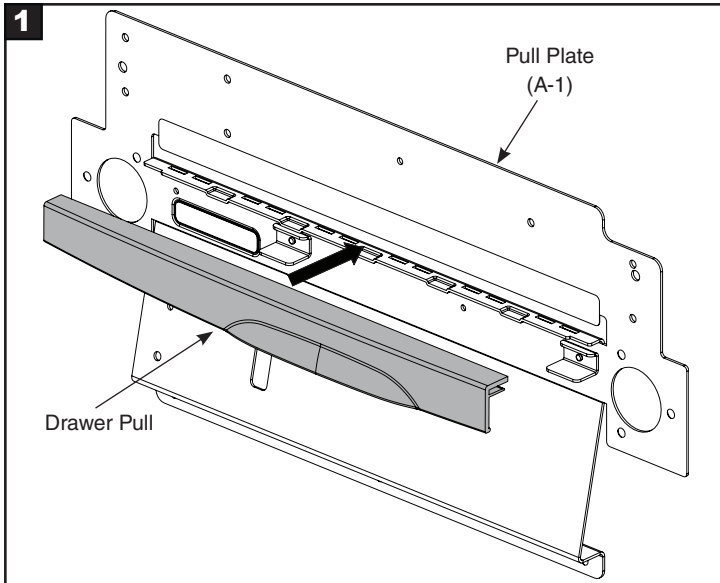
**Middle East**

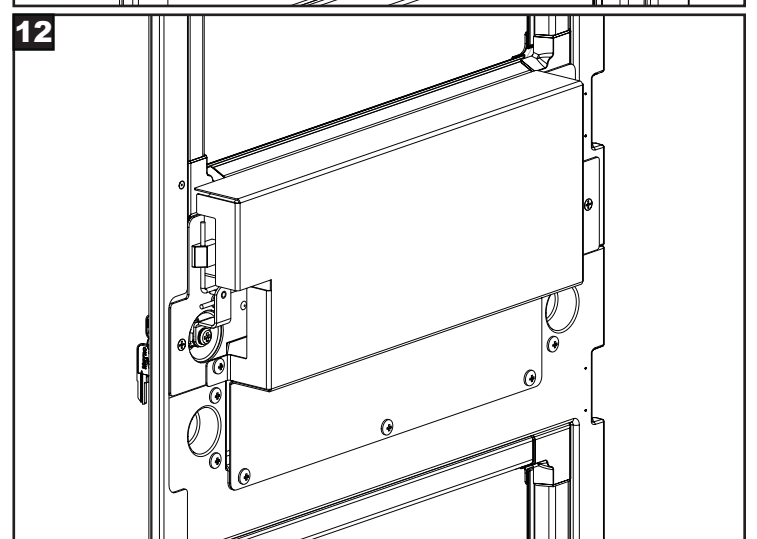
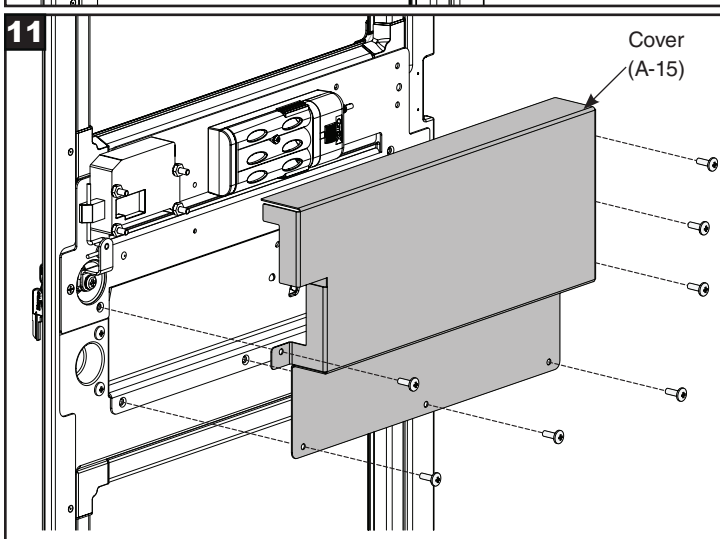
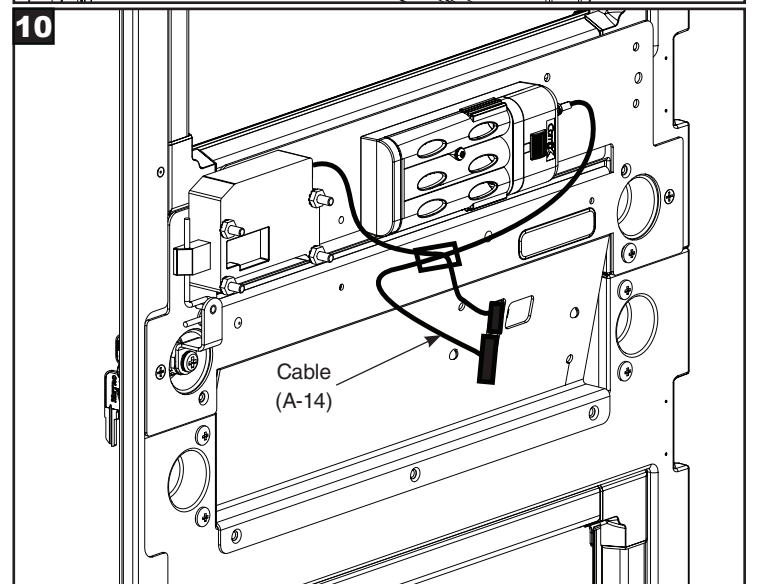
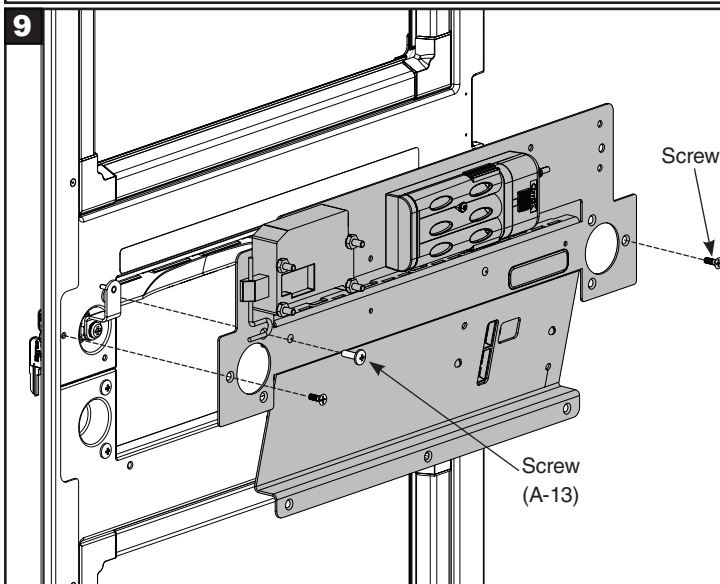
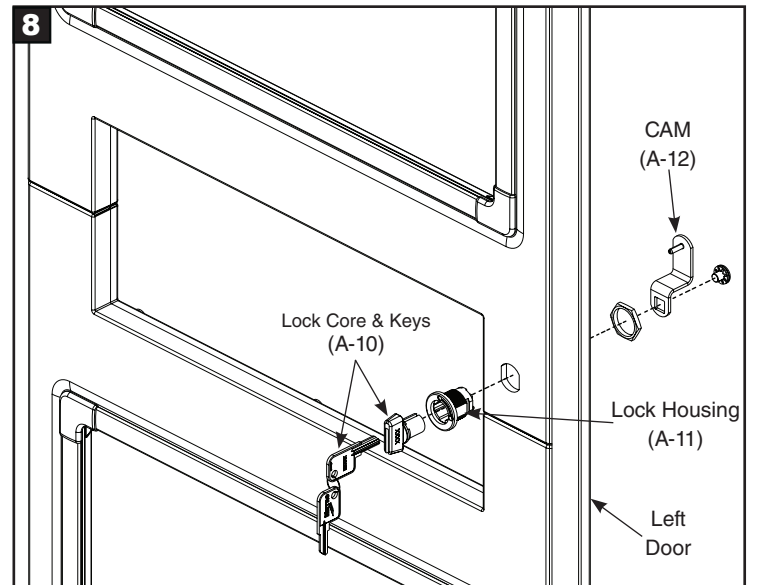
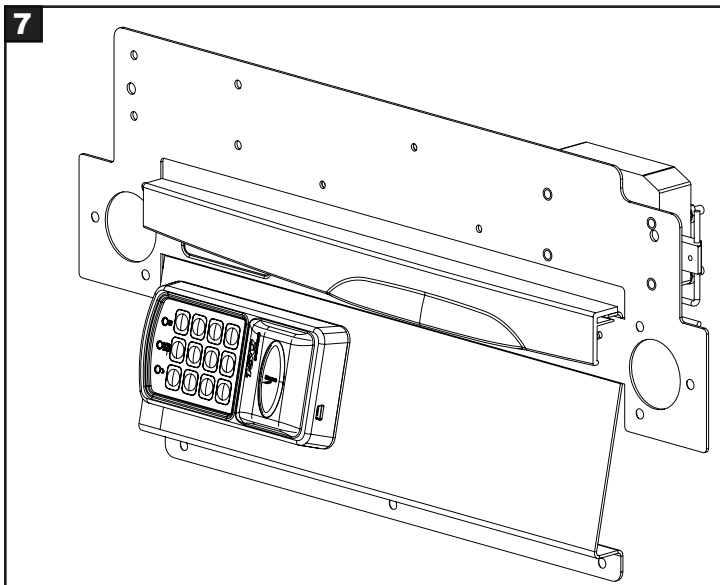
**Asia-Pacific**

## TABLE OF CONTENTS

	<b>Pg No.</b>
Table of Contents .....	3
A. BASIC PROXIMITY LOCKING-INSTALLATION.....	4
B. ADVANCE AND WIRELESS PROXIMITY LOCKING-INSTALLATION.....	6
C. PART REFERENCE AND RP PARTS.....	8
D. BASIC / ADVANCE AND WIRELESS PROXIMITY DOUBLE WIDE SINGLE BAY LOCKING .....	9
E. DOUBLE WIDE SINGLE BAY LOCKING- PART REFERENCE AND RP PARTS.....	9
F. BASIC / ADVANCE AND WIRELESS PROXIMITY DOUBLE WIDE TWO SINGLE BAY LOCKING .....	10
G. DOUBLE WIDE TWO SINGLE BAY LOCKING - PART REFERENCE AND RP PARTS .....	11
H. BASIC / ADVANCE AND WIRELESS PROXIMITY TRIPPLE WIDE TWO BAY LOCKING.....	12
I. TRIPPLE WIDE TWO BAY LOCKING - PART REFERENCE AND RP PARTS.....	13
J. BASIC / ADVANCE AND WIRELESS PROXIMITY TRIPPLE WIDE TWO BAY LOCKING .....	14
K. TRIPPLE WIDE TWO BAY LOCKING PART REFERENCE AND RP PARTS.....	15
L. BASIC / ADVANCE AND WIRELESS PROXIMITY WIRING DIAGRAM .....	16

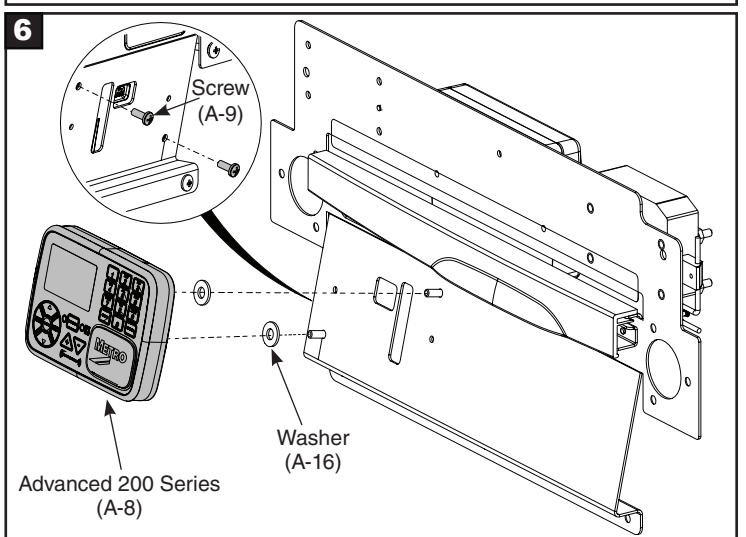
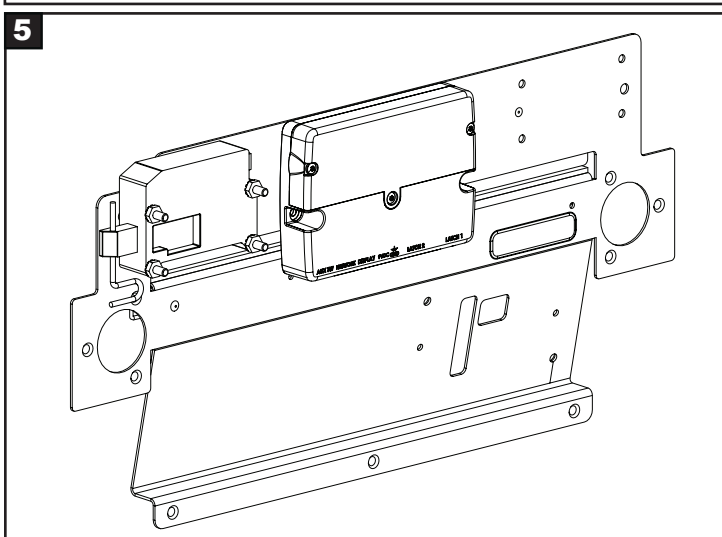
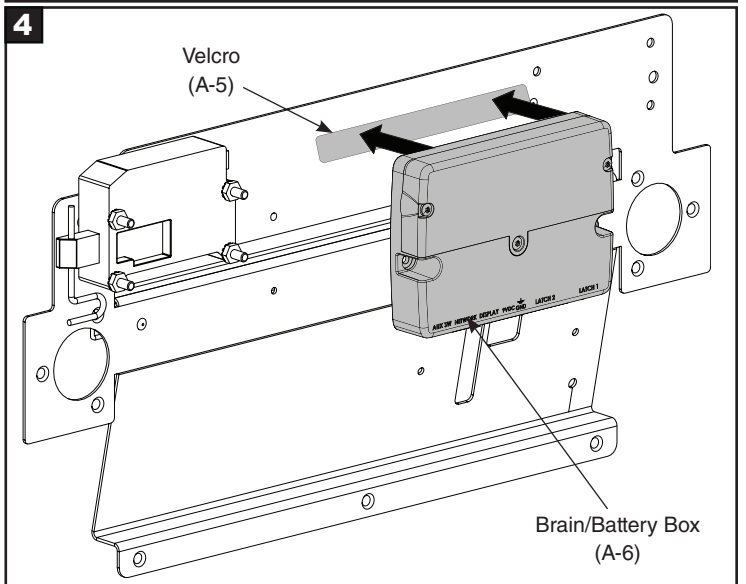
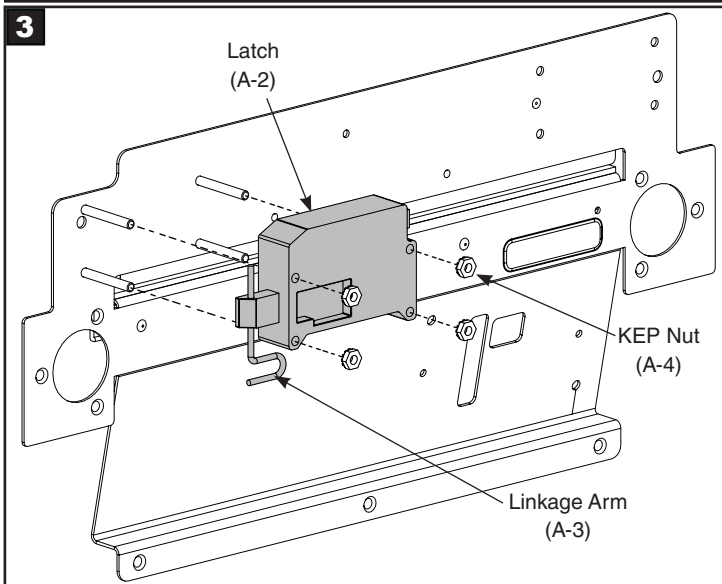
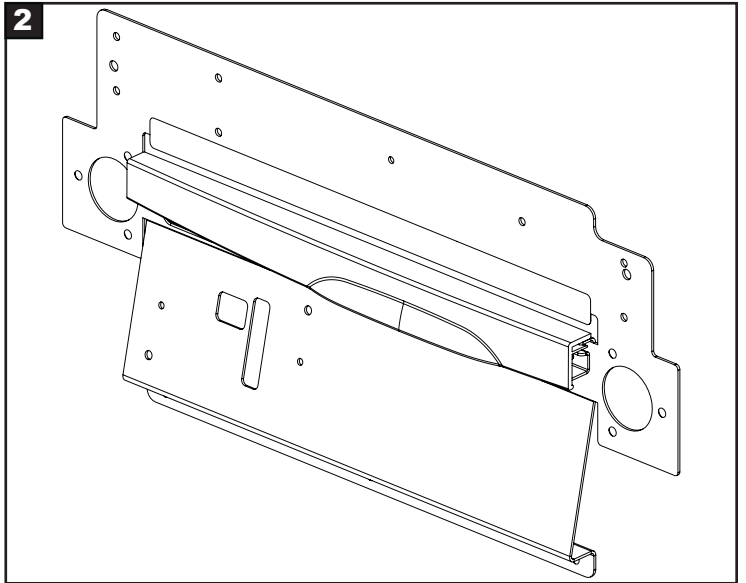
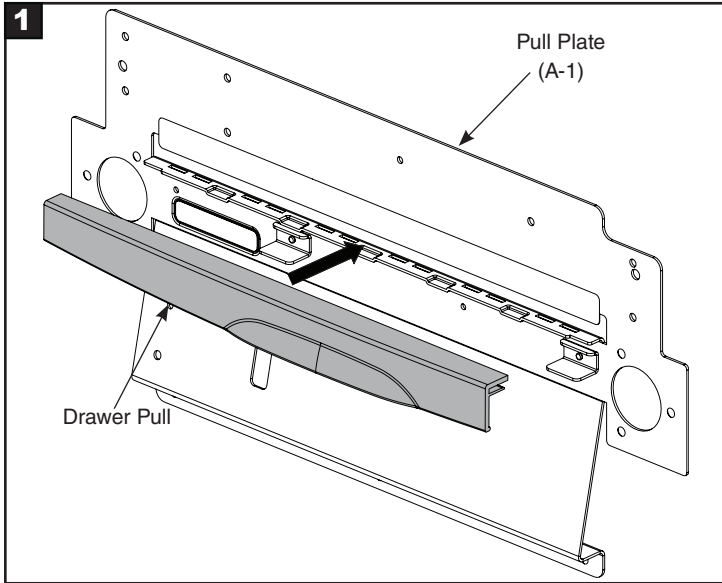
A. BASIC PROXIMITY LOCKING

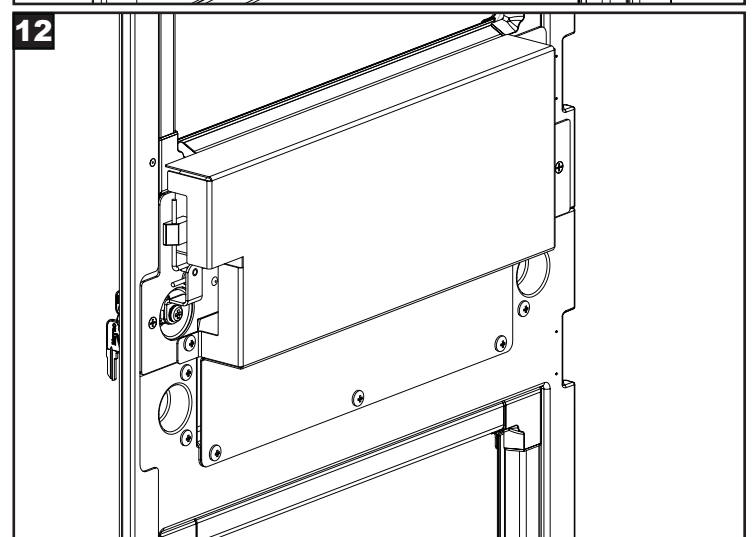
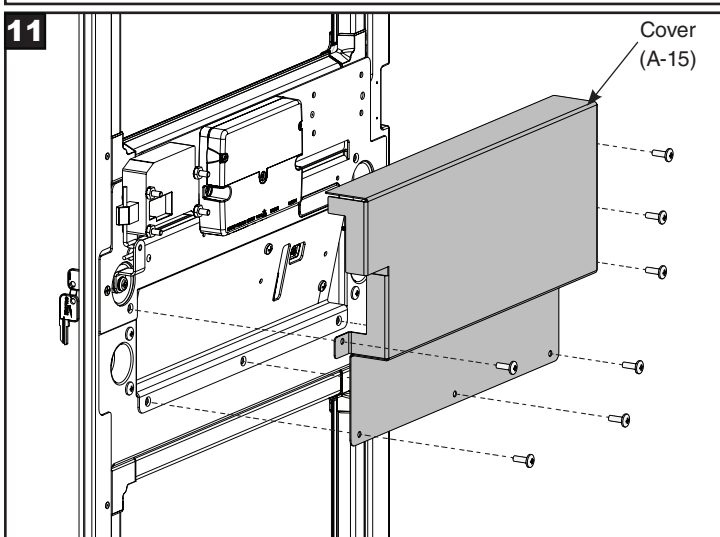
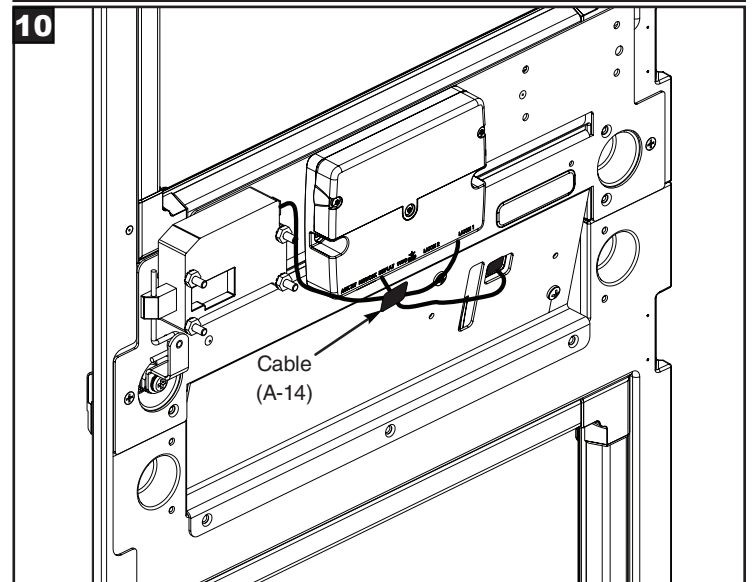
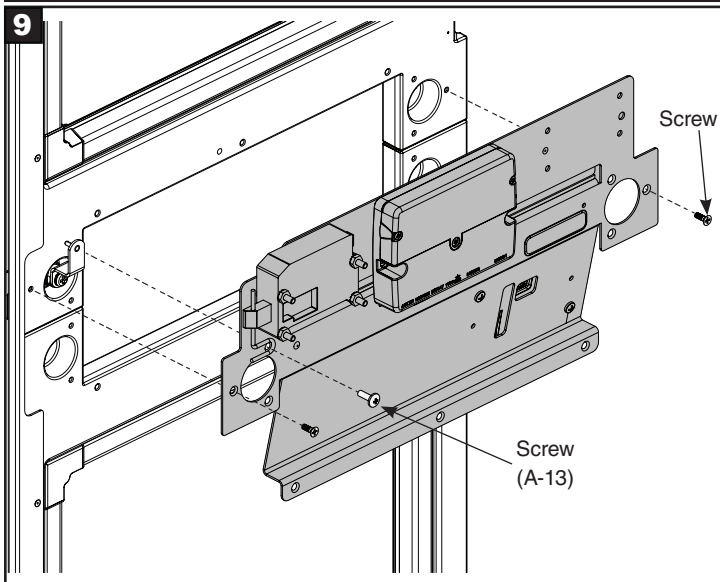
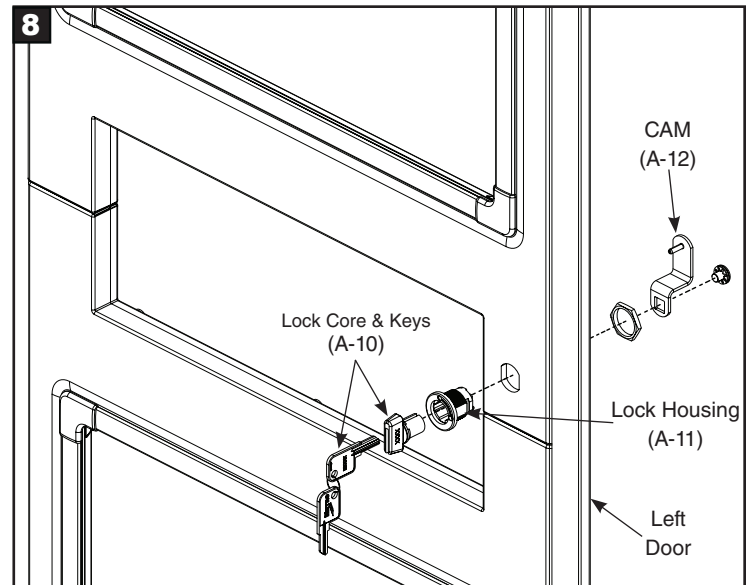
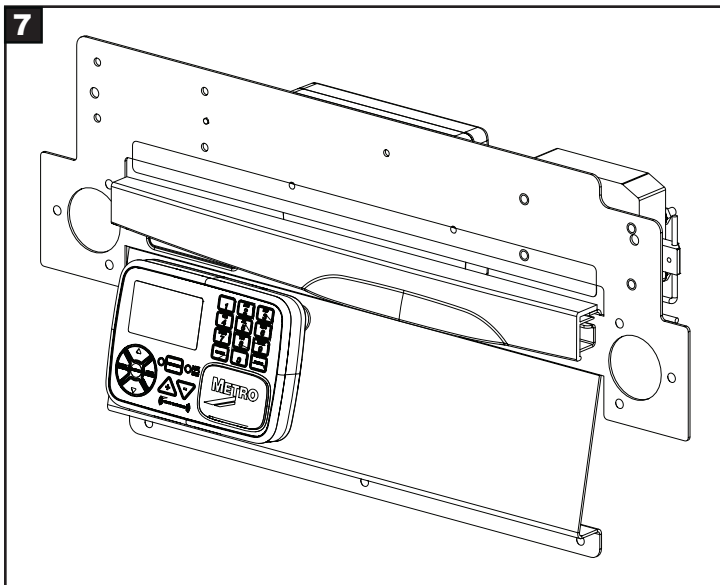




**THIS COMPLETES ASSEMBLY OF BASIC PROXIMITY LOCKING ON DOOR**

B. ADVANCE AND WIRELESS PROXIMITY LOCKING





THIS COMPLETES ASSEMBLY OF ADVANCE AND WIRELESS PROXIMITY LOCKING ON DOOR

**C. BASIC \ ADVANCE AND WIRELESS PROXIMITY LOCKING - PART REFERENCE**

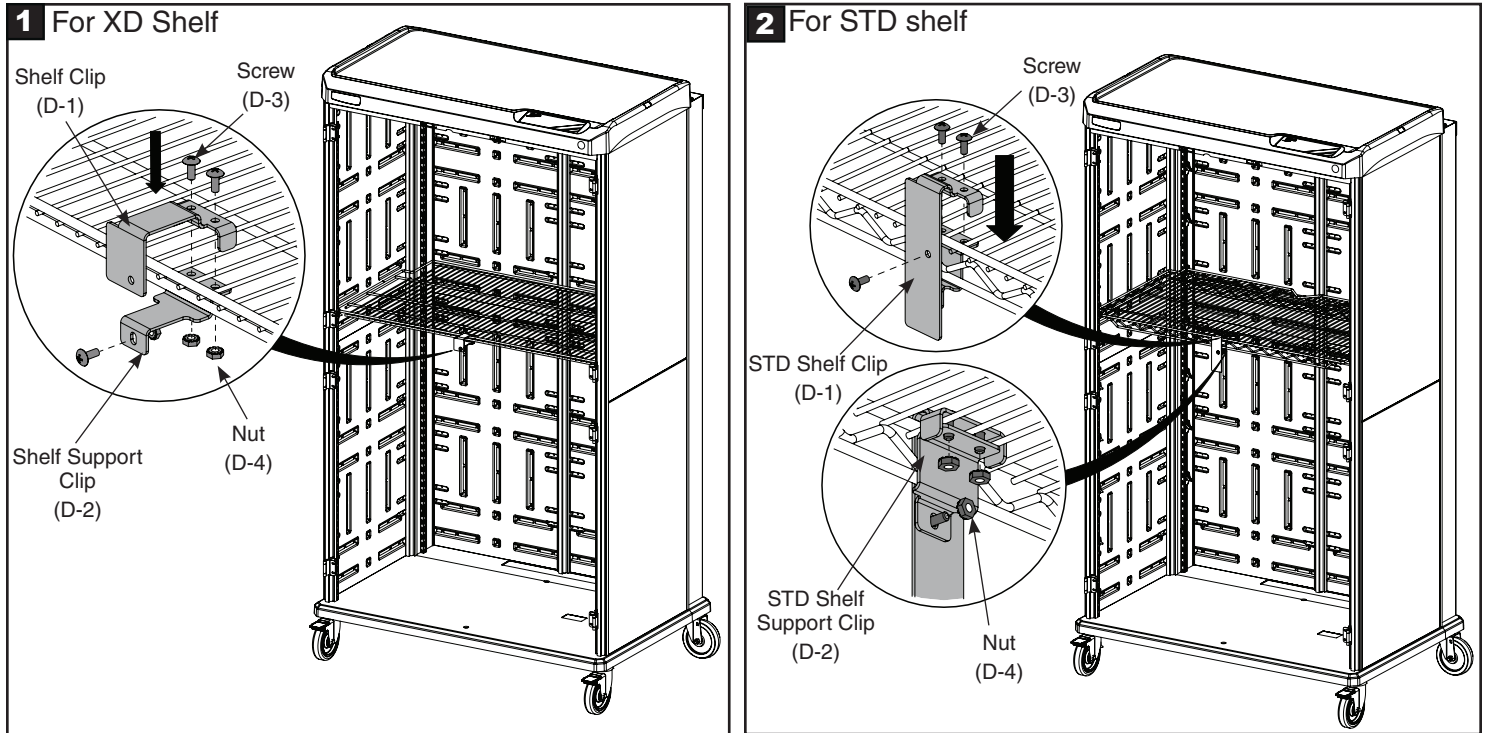
Item#	Description	Quantity	Part No. / Drawing No.	Item#	Description	Quantity	Part No. / Drawing No.
A-1	Pull Plate (Left)	1	SXRCEL-80686-01	A-9	6-32 X 1/4 Round Head Screw Zinc Plated (Basic)	2	F04-130*
	Pull Plate (Right)		SXRCEL-80686-02		10-24 X 1/2 PH Pan M/S SST (Advance And Wireless)		F04-219
A-2	Door Latch	1	C13-1351	A-10	Lock Core & Keys	1	SXCORE-KEY
A-3	Linkage Arm	1	SXRCEL-80815	A-11	Lock Housing	1	SXLOC-OPPR
A-4	10-32 KEP Nut	4	F02-210	A-12	CAM	1	SXRCEL-80817
A-5	Velcro	0.06 RO	C06-1018	A-13	#10 X 5/8" PHIL TRUSS S/M/S *STAINLESS*, Screw	1	F04-361
A-6	Battery Pack (Basic)	1	C13-1356	A-14	150 Series Cable 12"	1	C13-1358
	Battery Box (Advance And Wireless)		C13-1350		200/300 Series Latch Cable 12"		C13-1353
A-7	AA Batteries, Basic Keypad	1	C13-1359		200/300 Series Interconnect Cable 8"		C13-1352
A-8	150 Series PRKP (Low Frequency), Cabinet Lock	1	C13-1354	A-15	Cover Key Proximity Access Tall Cart LH	1	SXRCEL-80679
	150 Series ICKP (High Frequency), Cabinet Lock		C13-1355		Cover Key Proximity Access Tall Cart RH		SXRCEL-80680
	200 Series Display Only, PRKP (Low Frequency)		C13-1348	A-16	1/4" S.S. STD Flat Washer	2	F06-043*
	200 Series Display Only, PRKP (High Frequency)		C13-1349				

**C. BASIC \ ADVANCE AND WIRELESS PROXIMITY LOCKING - RP KIT**

Description	Contents	RP Kit No.
Repl 200 Series display only, PRKP (low frequency)	A-8	RPC13-1348
Repl 200 Series display only, ICKP (high frequency)	A-8	RPC13-1349
Repl 200 Series brain/battery box only	A-6	RPC13-1350
Repl Sherman tank latch with special override bolt	A-2	RPC13-1351
Repl 200/300 Series interconnect cable 8"	A-14	RPC13-1352
Repl 200/300 Series latch cable 12"	A-14	RPC13-1353
Repl 150 Series PRKP (low frequency), right hand cabinet lock	A-8	RPC13-1354
Repl 150 Series ICKP (high frequency), right hand cabinet lock	A-8	RPC13-1355
Repl Battery pack " AA " 12"	A-7	RPC13-1356
Repl 150 Series cable 12"	A-14	RPC13-1358



**D. BASIC / ADVANCE AND WIRELESS PROXIMITY DOUBLE WIDE SINGLE BAY LOCKING**



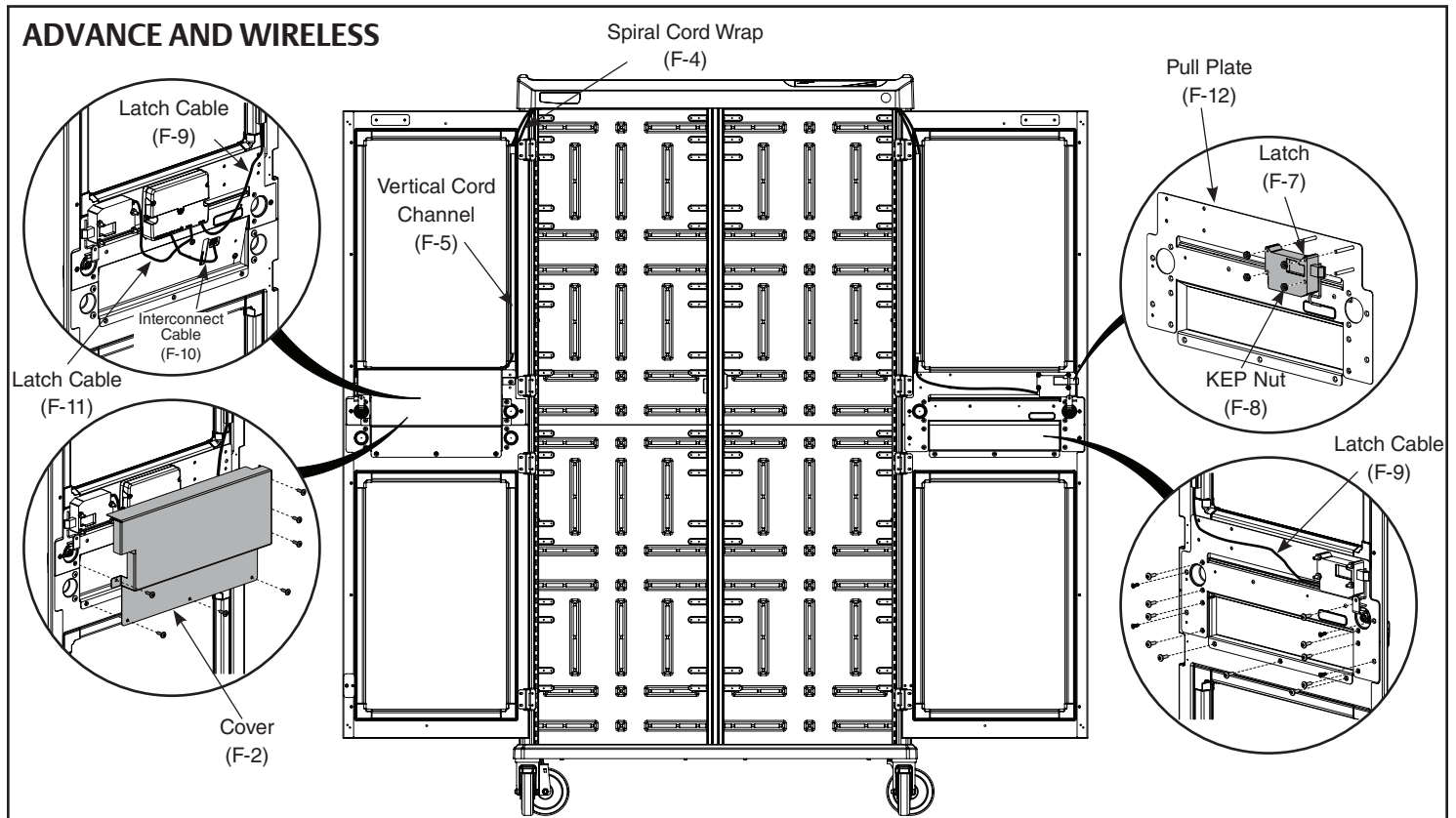
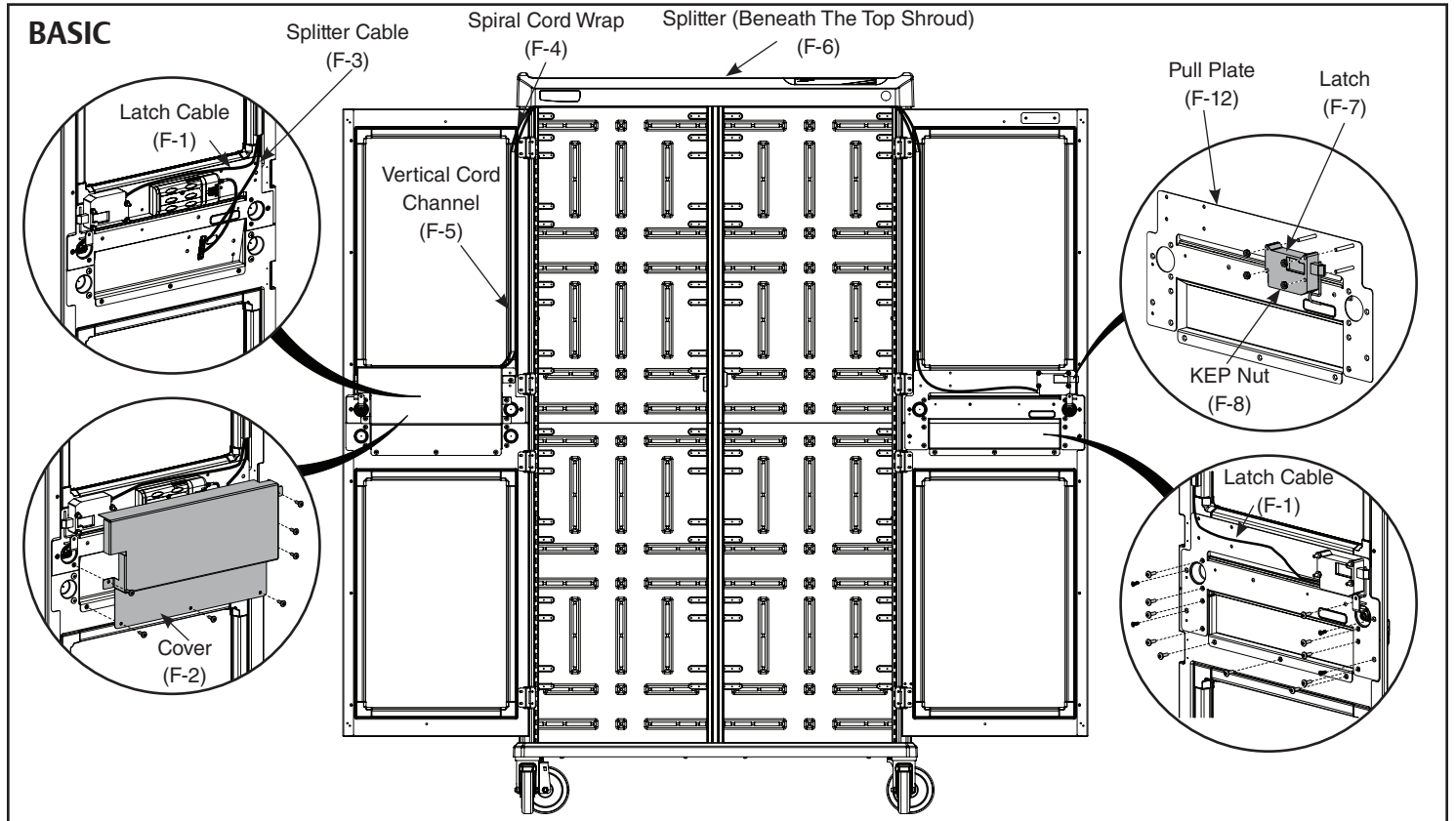
**E. BASIC / ADVANCE AND WIRELESS PROXIMITY DOUBLE WIDE SINGLE BAY LOCKING - PART REFERENCE**

Item#	Description	Quantity	Part No. / Drawing No.
D-1	XD Shelf Clip Starsys Proximity Lock	1	SXRCEL-80804
	STD Shelf Clip Starsys Proximity Lock	1	SXRCEL-80802
D-2	XD Shelf Support Clip Starsys Proximity Lock	1	SXRCEL-80805
	STD Shelf Support Clip Starsys Proximity Lock	1	SXRCEL-80803
D-3	#10-24x1/2 PHL Truss HD Screw Zinc Plated	3	F04-246
D-4	#10-24 KEP Nut With External	3	F02-051

**E. BASIC / ADVANCE AND WIRELESS PROXIMITY DOUBLE WIDE SINGLE BAY LOCKING- RP KIT**

Description	Contents	RP Kit No.
REPL Starsys Prox Lock Clip Set STD	D-1, D-2, D-3, D-4	RPSXRPROXCLIP
REPL Starsys Prox Lock Clip Set XD		RPSXRPROXCLIPXD

F. BASIC / ADVANCE AND WIRELESS PROXIMITY DOUBLE WIDE TWO SINGLE BAY LOCKING



**G. BASIC / ADVANCE AND WIRELESS PROXIMITY DOUBLE WIDE TWO SINGLE BAY LOCKING - PART REFERENCE**

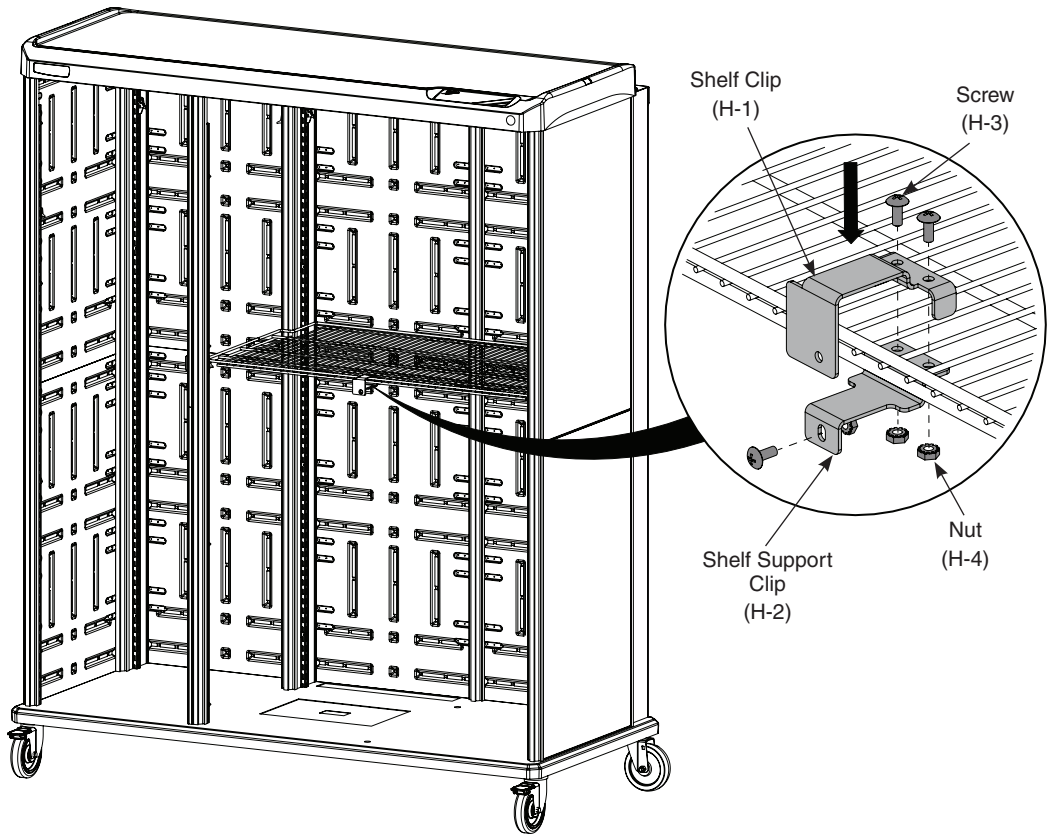
Item#	Description	Quantity	Part No. / Drawing No.
F-1	Latch Cable 8 Feet Basic Proximity Lock	2	C13-1373
F-2	Cover Proximity Lock Dual Latch	1	SXRCEL-80679
F-3	Splitter Cable 6 Feet Proximity Lock	1	C13-1371
F-4	Spiral Cord Wrap	0.03RO	C13-1374
F-5	Vertical Cord Channel	3.33Ft	C13-1375
F-6	Splitter 150 Series Proximity Lock	1	C13-1370
F-7	Sherman Tank Latch With Special Override Bolt	2	C13-1351
F-8	10-32 Kep Nut, Zinc Plated	8	F02-110
F-9	Latch Cable 15 Feet Advance Proximity Lock (W/O Resistor)	1	C13-1372
F-10	200/300 Series Interconnect Cable 8"	1	C13-1352
F-11	200/300 Series Latch Cable 12"	1	C13-1353
F-12	Pull Plate	1	SXRCEL-80822-02

**G. BASIC / ADVANCE AND WIRELESS PROXIMITY DOUBLE WIDE TWO SINGLE BAY LOCKING- RP KIT**

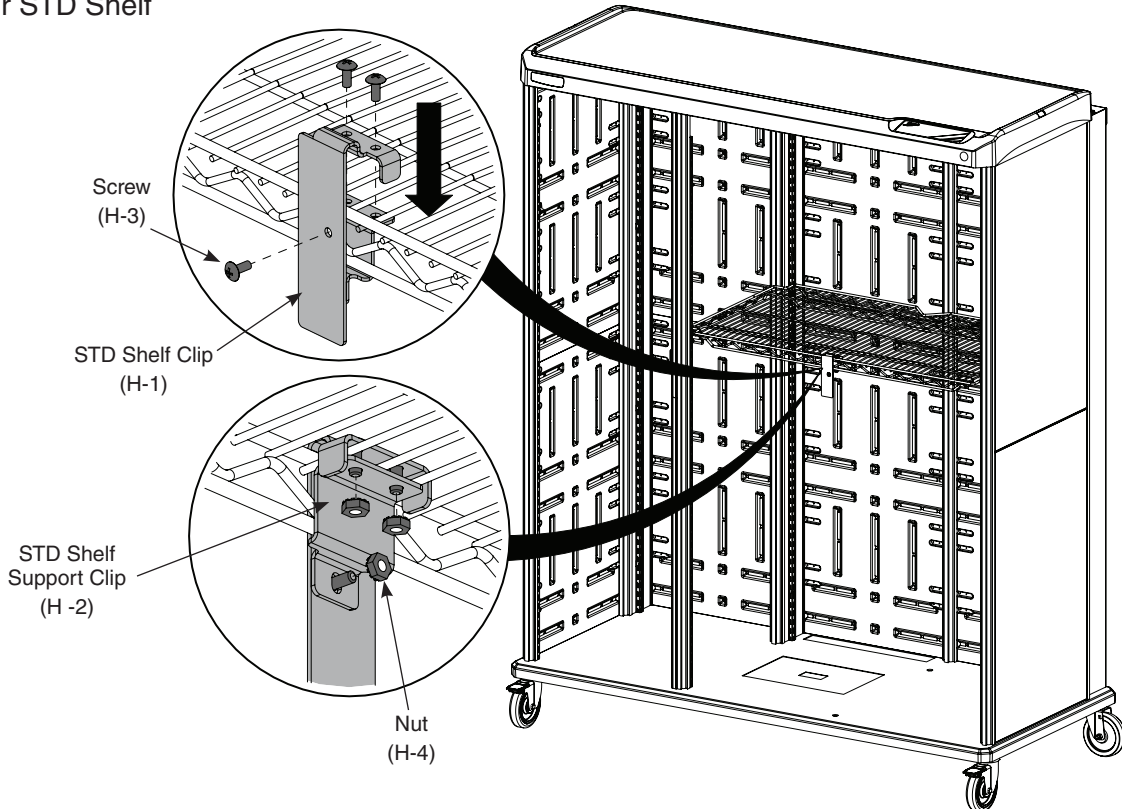
Description	Contents	RP Kit No.
REPL Latch Cable 8 Feet Basic Proximity Lock	F-1	RPC13-1373
REPL Splitter Cable 6 Feet Proximity Lock	F-3	RPC13-1371
REPL Splitter 150 Series Proximity Lock	F-6	RPC13-1370
REPL Latch Cable 15 Feet Advance Proximity Lock (W/O Resistor)	F-9	RPC13-1372

H. BASIC / ADVANCE AND WIRELESS PROXIMITY TRIPPLE WIDE TWO BAY LOCKING

**1** For XD Shelf



**2** For STD Shelf



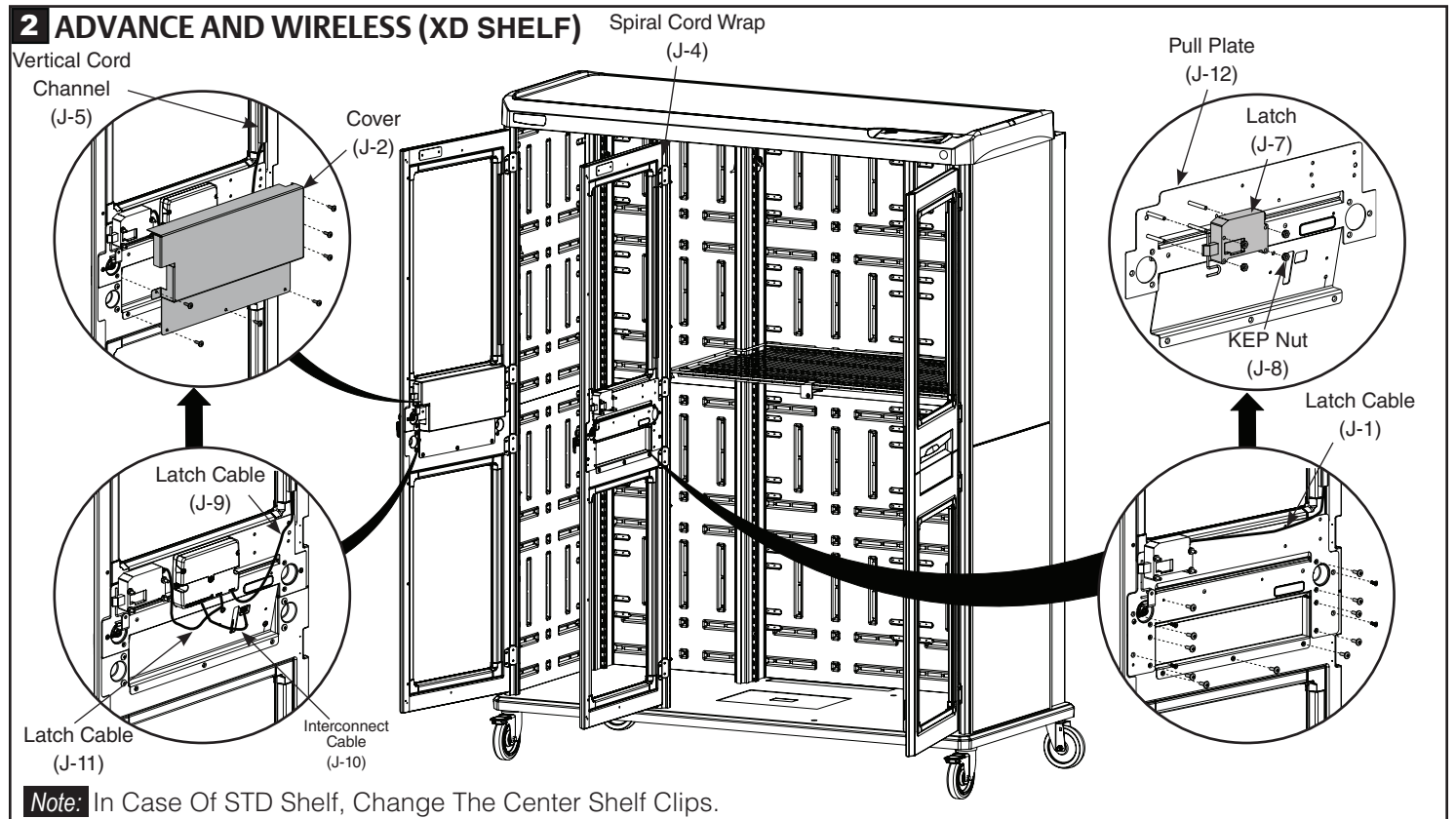
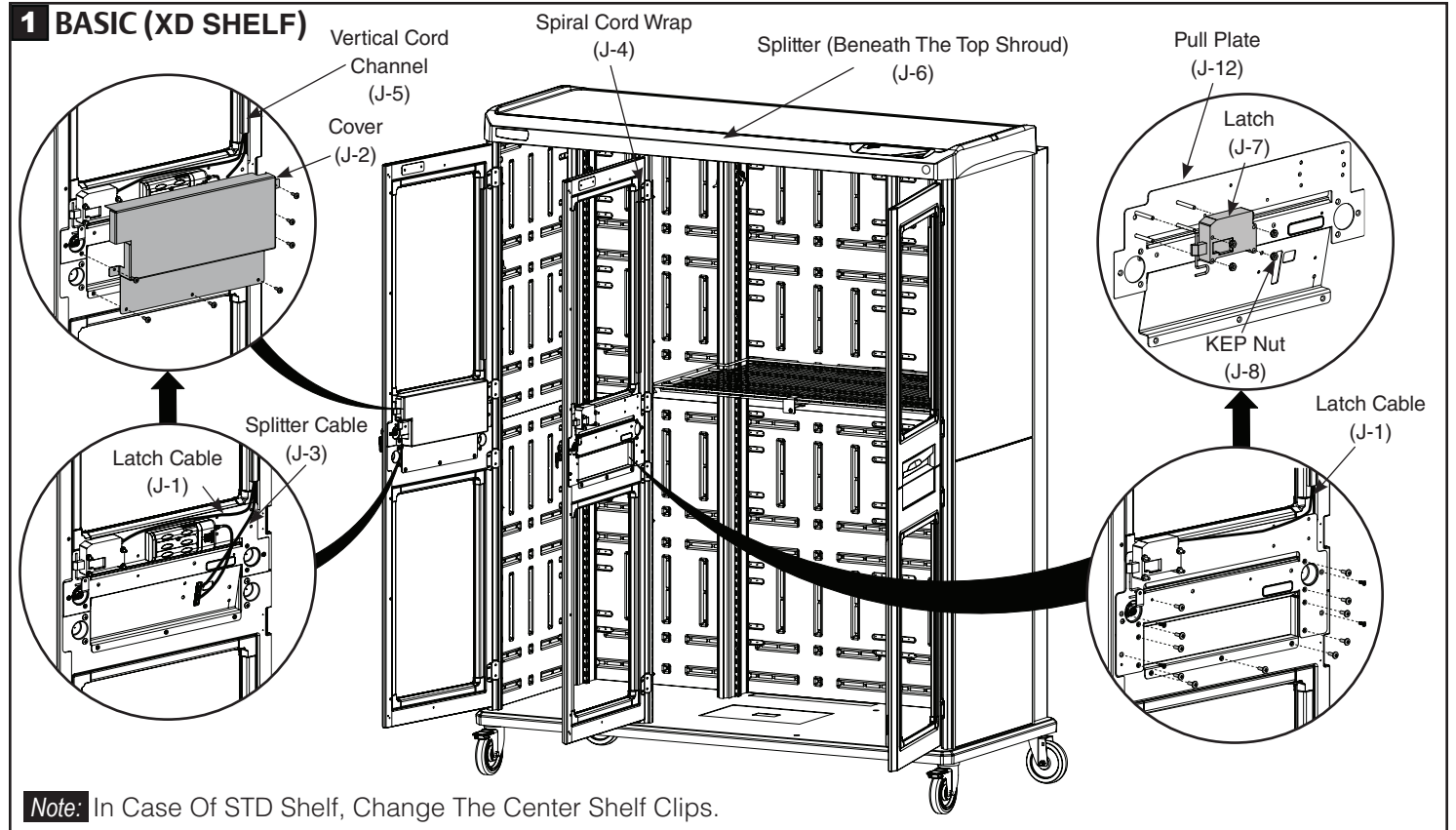
**I. BASIC / ADVANCE AND WIRELESS PROXIMITY TRIPPLE WIDE TWO BAY LOCKING - PART REFERENCE**

Item#	Description	Quantity	Part No. / Drawing No.
H-1	XD Shelf Clip Starsys Proximity Lock	1	SXRCEL-80804
	STD Shelf Clip Starsys Proximity Lock	1	SXRCEL-80802
H-2	XD Shelf Support Clip Starsys Proximity Lock	1	SXRCEL-80805
	STD Shelf Support Clip Starsys Proximity Lock	1	SXRCEL-80803
H-3	#10-24x1/2 PHL Truss HD Screw Zinc Plated	3	F04-246
H-4	#10-24 KEP Nut With External	3	F02-051

**I. BASIC / ADVANCE AND WIRELESS PROXIMITY TRIPPLE WIDE TWO BAY LOCKING - RP KIT**

Description	Contents	RP Kit No.
REPL Starsys Prox Lock Clip Set STD	H-1, H-2, H-3, H-4	RPSXRPROXCLIP
REPL Starsys Prox Lock Clip Set XD		RPSXRPROXCLIPXD

**J. BASIC / ADVANCE AND WIRELESS PROXIMITY TRIPPLE WIDE TWO BAY LOCKING**



**K. BASIC / ADVANCE AND WIRELESS PROXIMITY TRIPPLE WIDE TWO BAY LOCKING - PART REFERENCE**

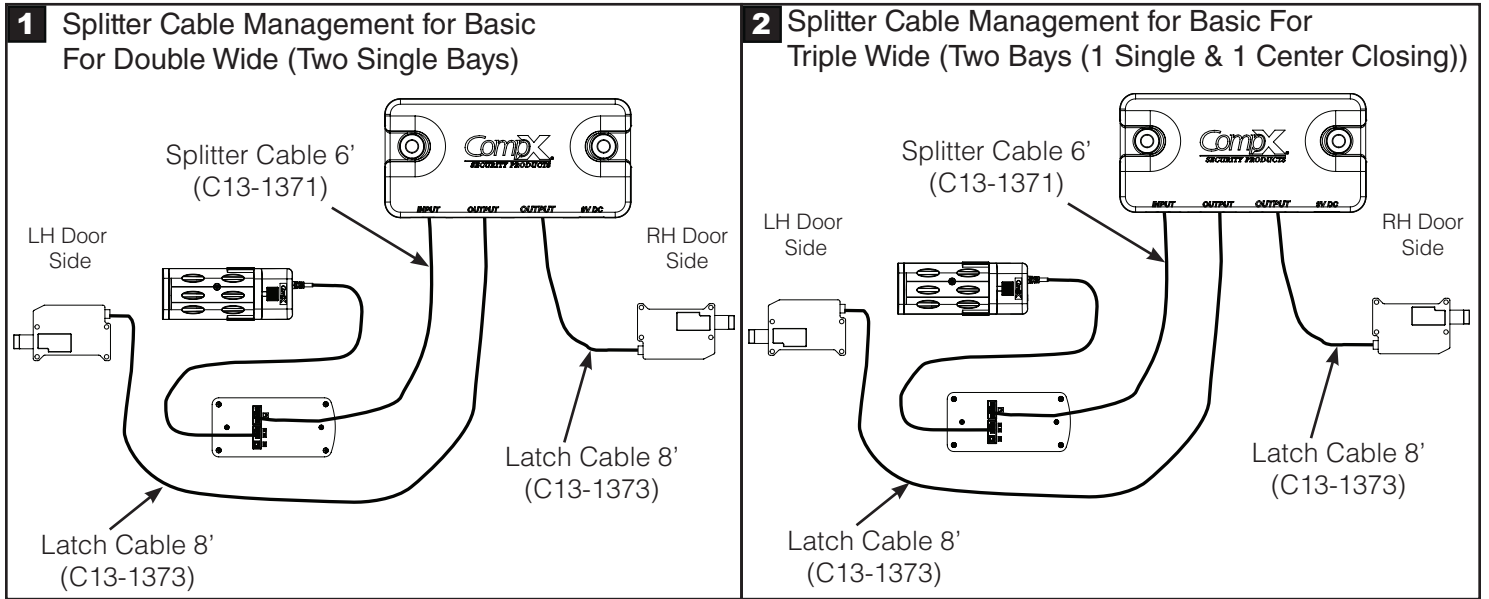
Item#	Description	Quantity	Part No. / Drawing No.
J-1	Latch Cable 8 Feet Basic Proximity Lock	2	C13-1373
J-2	Cover Proximity Lock Dual Latch	1	SXRCEL-80679
J-3	Splitter Cable 6 Feet Proximity Lock	1	C13-1371
J-4	Spiral Cord Wrap	0.03RO	C13-1374
J-5	Vertical Cord Channel	3.33Ft	C13-1375
J-6	Splitter 150 Series Proximity Lock	1	C13-1370
J-7	Sherman Tank Latch With Special Override Bolt	2	C13-1351
J-8	10-32 Kep Nut, Zinc Plated	8	F02-110
J-9	Latch Cable 15 Feet Advance Proximity Lock (W/O Resistor)	1	C13-1372
J-10	200/300 Series Interconnect Cable 8"	1	C13-1352
J-11	200/300 Series Latch Cable 12"	1	C13-1353
J-12	Pull Plate	1	SXRCEL-80822-01

**K. BASIC / ADVANCE AND WIRELESS PROXIMITY TRIPPLE WIDE TWO BAY LOCKING - RP KIT**

Description	Contents	RP Kit No.
REPL Latch Cable 8 Feet Basic Proximity Lock	J-1	RPC13-1373
REPL Splitter Cable 6 Feet Proximity Lock	J-3	RPC13-1371
REPL Splitter 150 Series Proximity Lock	J-6	RPC13-1370
REPL Latch Cable 15 Feet Advance Proximity Lock (W/O Resistor)	J-9	RPC13-1372

# L. BASIC / ADVANCE AND WIRELESS PROXIMITY WIRING DIAGRAM

## BASIC



## ADVANCE

