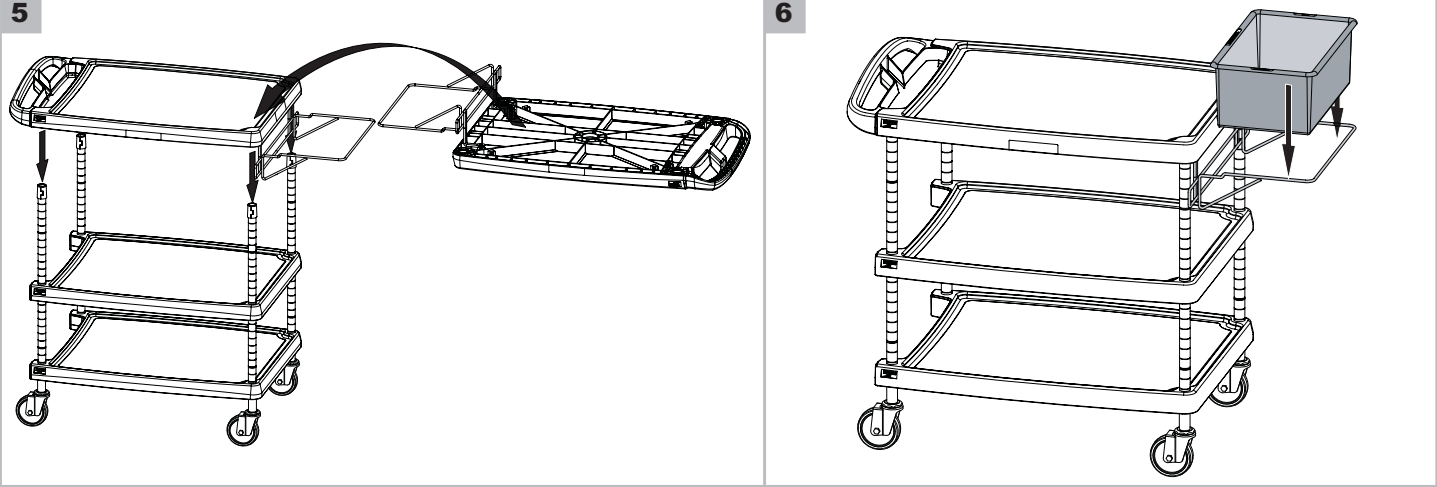
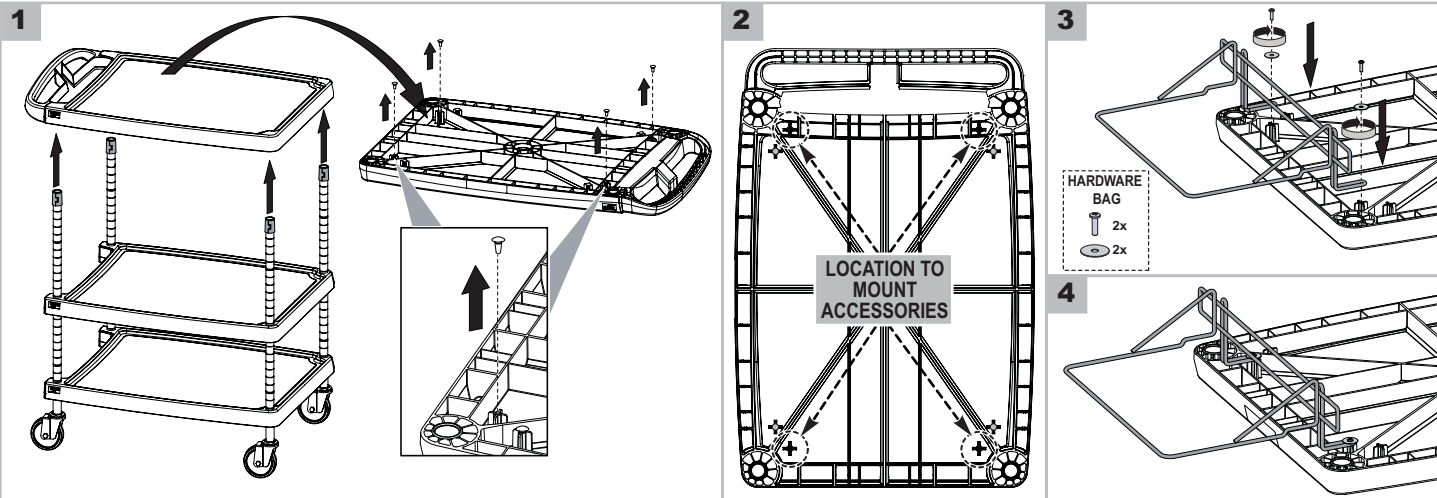
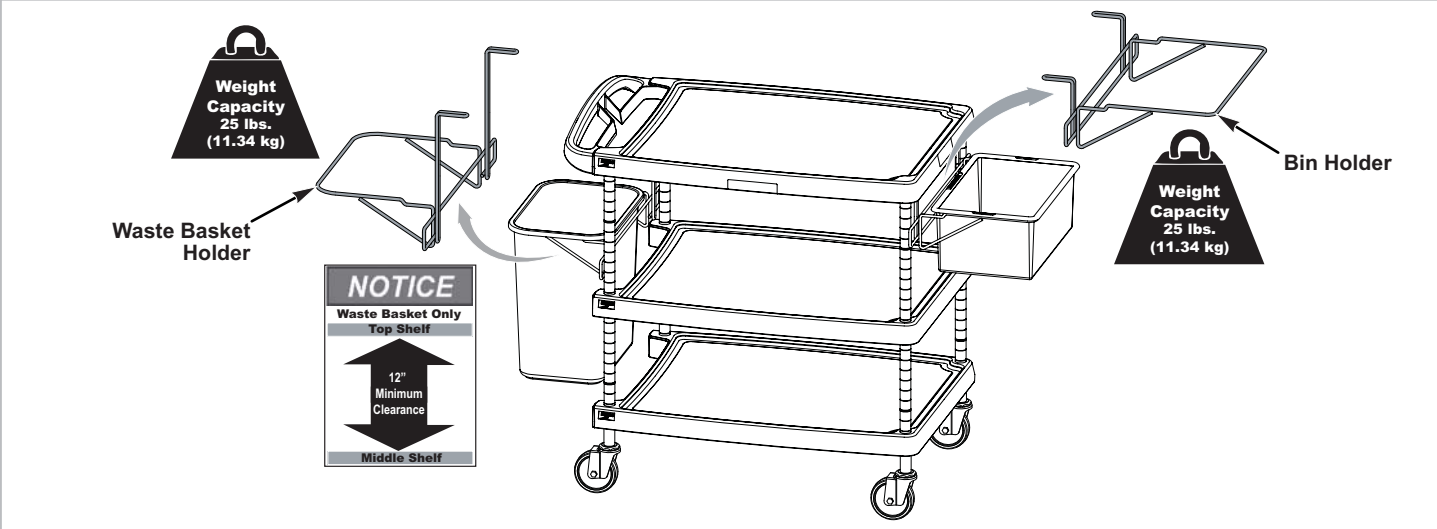


MyCart™ Series Utility Cart Accessories



INSTR-MYCARTACSRs
 RevA 02/2014

Information and specifications are subject to change without notice.
 Please confirm at time of order.

*Save this document for future application, load rating and/or safety reference.



InterMetro Industries Corporation
 North Washington Street, Wilkes-Barre, PA USA 18705
 For Product Information Call: **1-800-992-1776**
 Visit Our Web Site: **www.metro.com**