



# METRO SUPER ERECTA EZ-ADD SHELF

How to assemble / disassemble scan here



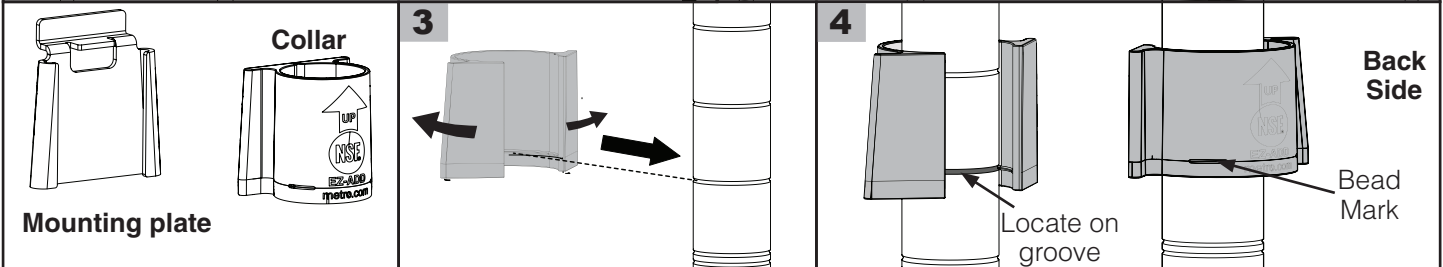
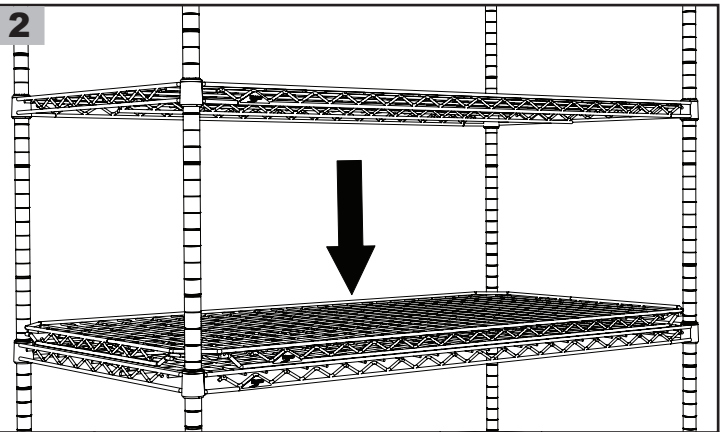
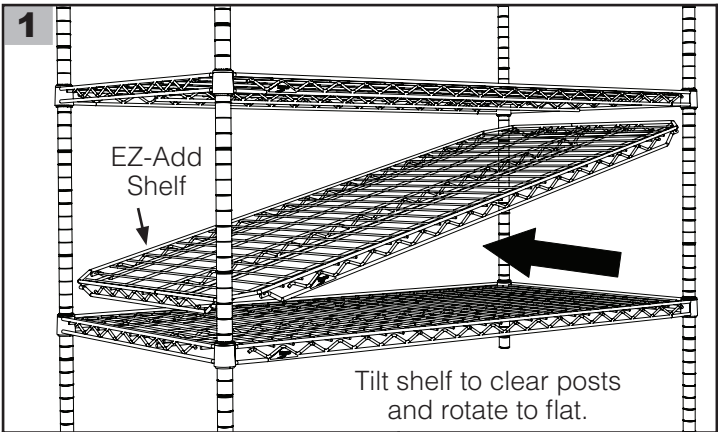
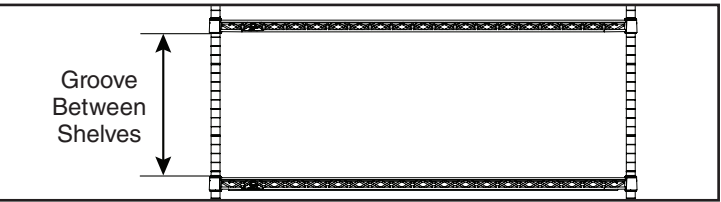
<b>⚠ CAUTION: WEIGHT CAPACITY</b>	<b>⚠ CAUTION: CONFIGURATIONS</b>
<ul style="list-style-type: none"> <li>Unit load rating with 3 or more Super Erecta, Super Erecta Pro or Super Adjustable standard collared shelves and one or more EZ-Add Shelf levels. <b>STATIONARY:</b> 2000lbs. (907kg).   <b>MOBILE:</b> Three times the caster load rating not to exceed 900 lbs. (408kg).</li> <li>Unit load rating with top &amp; bottom Super Erecta or Super Erecta Pro standard collared shelves and one or more EZ-ADD shelf levels. <b>STATIONARY ONLY:</b> 1000lbs. (453kg).</li> <li>EZ-ADD Shelf load rating: 400lbs. (181kg) static load, evenly distributed.</li> </ul> <p style="text-align: center;"><b>Failure to follow these instructions could result in personal injury or property damage.</b></p>	<ul style="list-style-type: none"> <li>To configure a Stationary Unit with all middle EZ-ADD shelves, you must use Super Erecta or Super Erecta Pro for the top and bottom tiers.</li> <li>Mobile units with posts taller than 54" must include a middle Super Erecta Shelf, Super Erecta Pro Shelf, Super Adjustable Super Erecta Shelf, or Super Erecta 3-Sided Frame.</li> <li>EZ-ADD Shelving has only been evaluated and is compatible with Metro and Olympic wire shelving.</li> <li>EZ-ADD Shelves can be used as intermediate shelves for Security Units.</li> </ul>

**Double check the shelf spacing to make sure the EZ-ADD shelf will install between the shelves.**

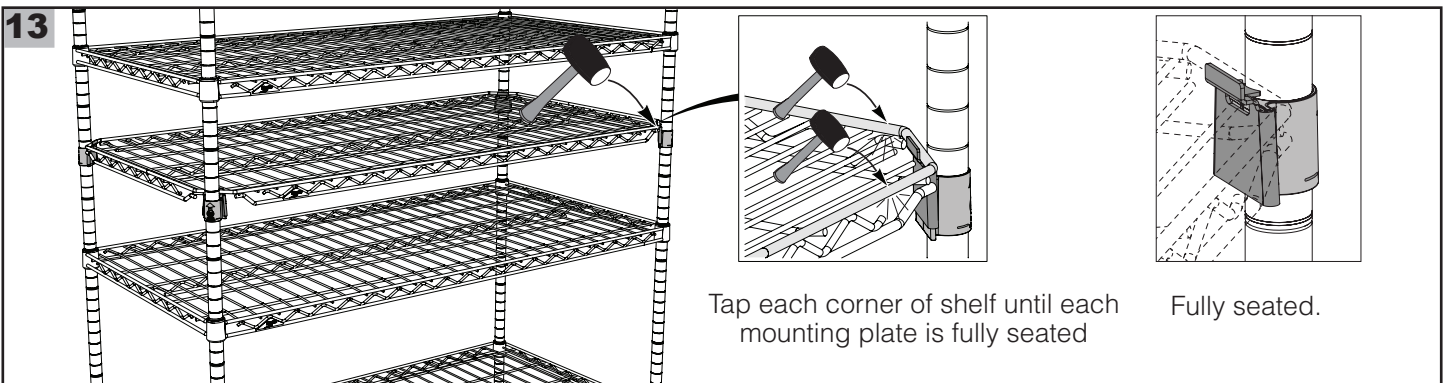
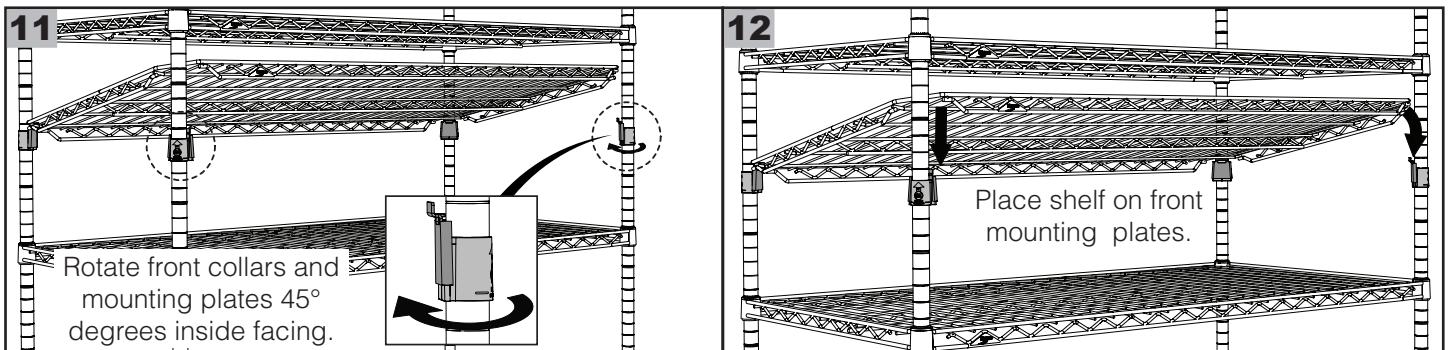
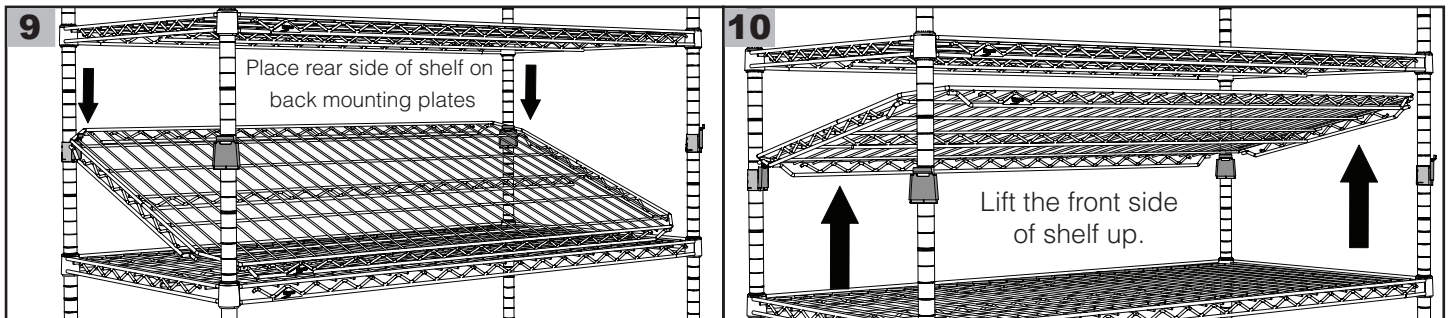
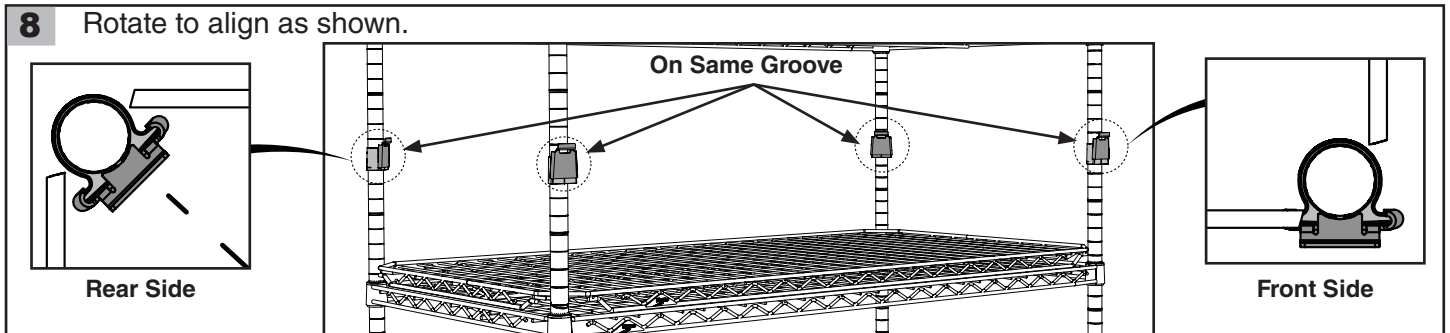
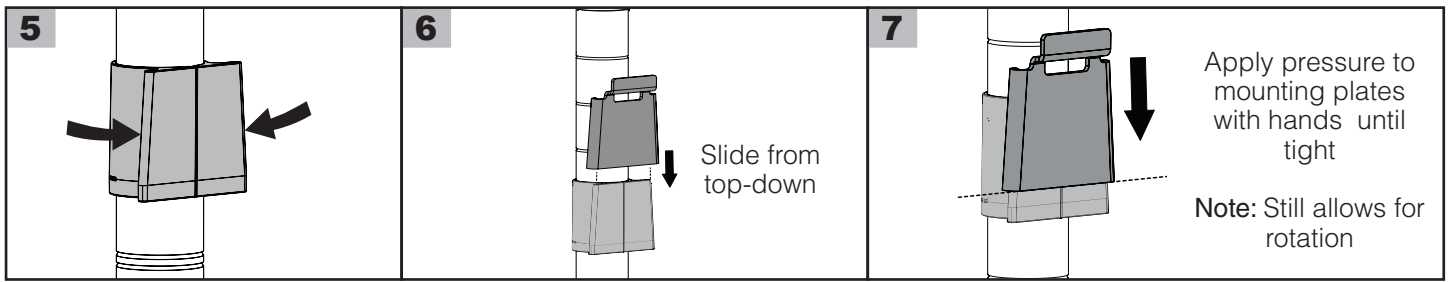
**Assembly Method 1** (most common): when the shelving unit is against one or more walls and other shelving units.

Minimum # of grooves between shelves

36" length:	14
48" length:	16
60" length:	18



# EZ-ADD SHELF — INSTRUCTIONS FOR USE



**NOTE: See Video for Assembly Method 2**

# EZ-ADD SHELF LOCK CLIP

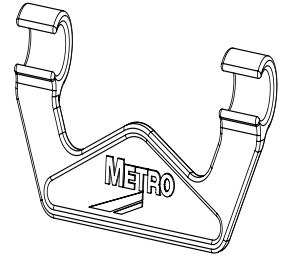
**CAUTION: CONFIGURATIONS**

- **REQUIRED** when mounting an EZ-ADD shelf in a slanted position.
- **OPTIONAL** when mounting an EZ-ADD shelf in a flat position.



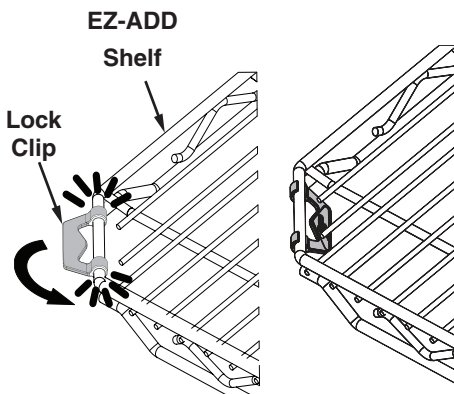
Assembly Video

**PART LIST**

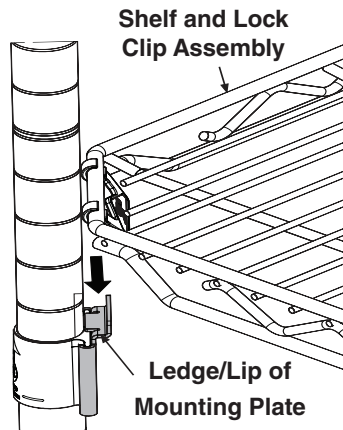


Lock Clip  
(x4)

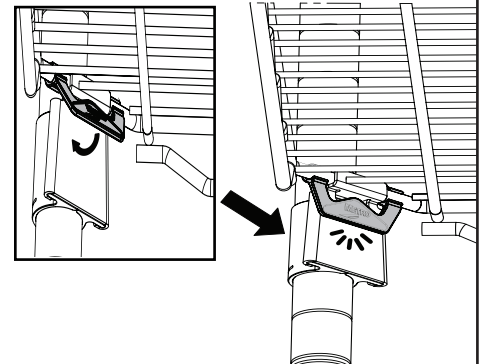
**1** Assemble lock clip to each corner of the EZ-ADD shelf and rotate the lock clip up and against underside of shelf.



**2** Position shelf and lock clip assembly on ledge / lip of mounting plate in each corner.



**3** Rotate lock clip into lock position.



**THIS COMPLETES THE ASSEMBLY OF THE LOCK CLIP ON EZ-ADD SHELF.**

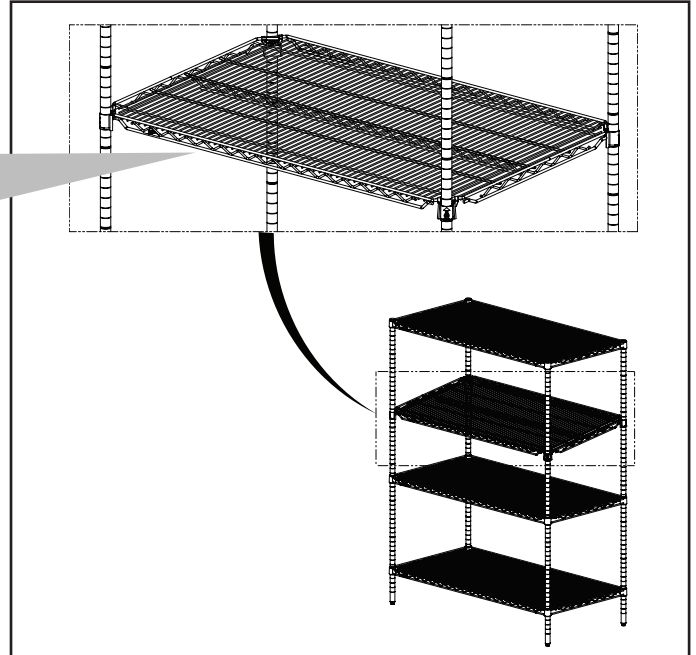
# HOW TO SLANT AN EZ-ADD SHELF

## ⚠ CAUTION: CONFIGURATIONS

- When slanting the standard EZ-ADD shelf that has the same depth as the base shelving unit, the maximum slant (or pitch) is approximately 8 – 10 degrees. The rear collars are mounted no more than three grooves higher than the front collars.
- Locking clips are required.



Assembly Video



**1** Assemble lock clip to each corner of the EZ-ADD shelf to rotate the lock clip up and against underside of shelf.

**2** For 24" Depth: Rear collar at 3 grooves above the front collar.  
For 18" Depth: Rear collar at 2 grooves above the front collar.

**3** Tap each corner of Shelf until each Mounting Plate is fully seated.

All Corners

**4** Rotate lock clip into lock position.

All Corners

\* Save this document for future application, load rating and/or safety reference.

© 2023 InterMetro Industries Corporation, Wilkes-Barre, PA 18705  
L01-682 REV A 10/23

an Ali Group Company



The Spirit of Excellence