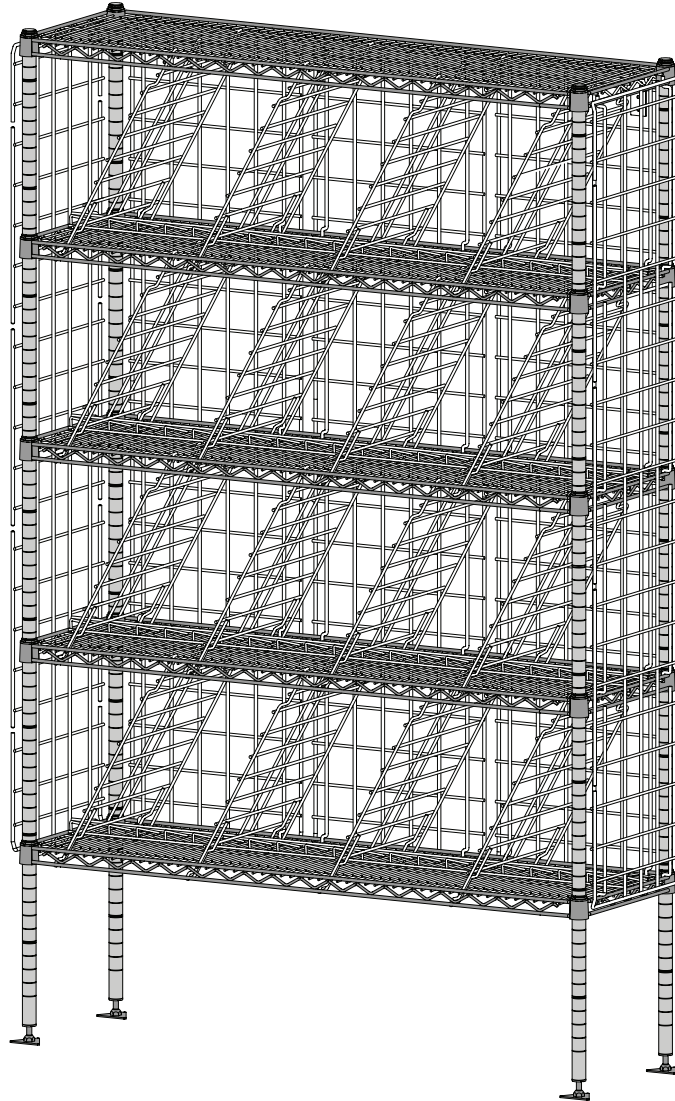


SUPER ERECTA SHELF® BULK WINE SHELVING UNIT



WB257C Unit Shown

WB237C, WB257C - FIVE SHELF UNITS
WB238C, WB258C - SIX SHELF UNITS

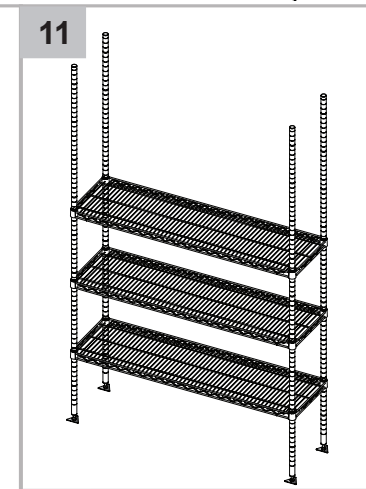
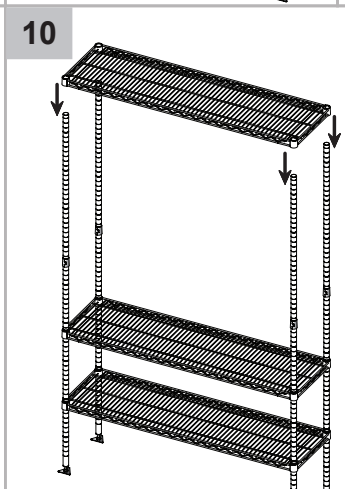
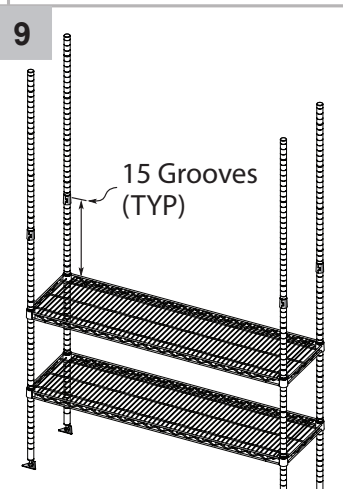
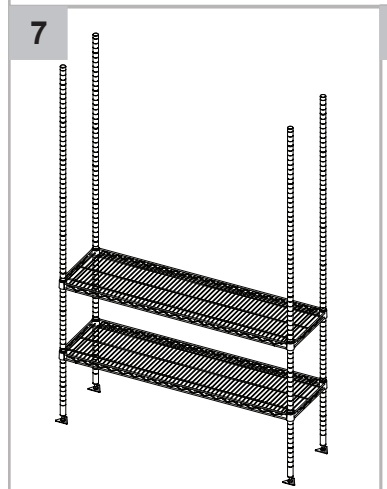
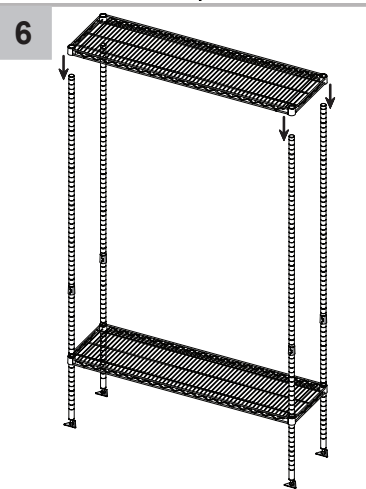
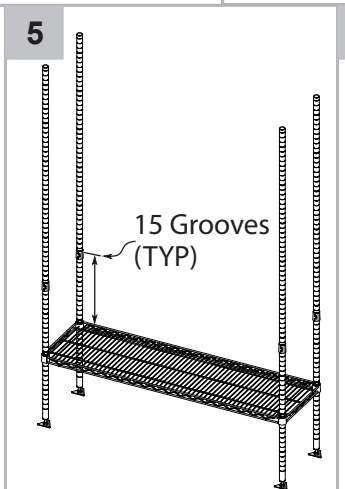
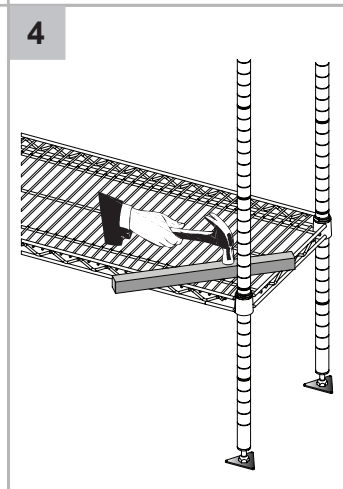
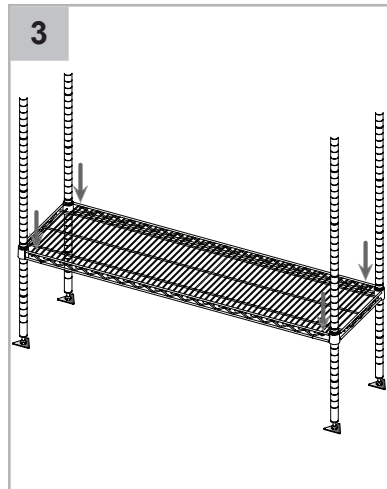
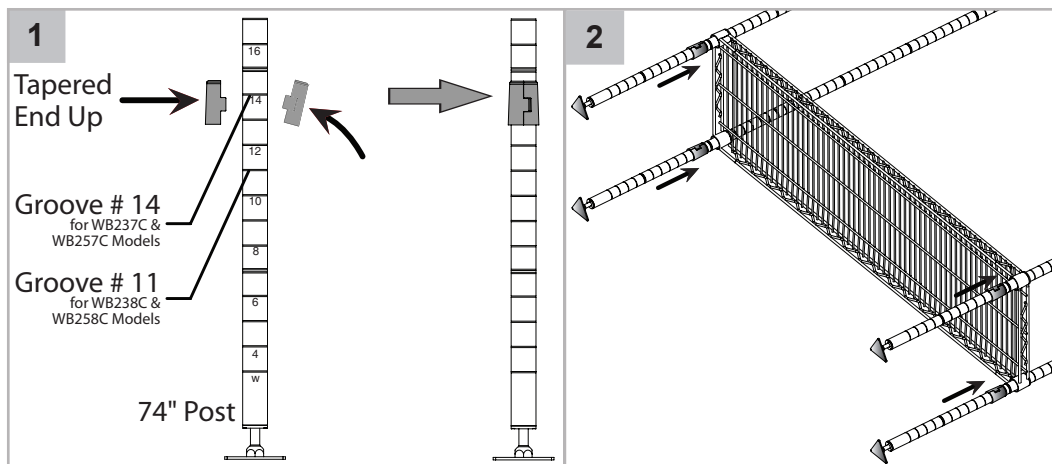


InterMetro Industries Corporation
North Washington Street, Wilkes-Barre, PA USA 18705
For Product Information Call: 1-800-992-1776
Visit Our Web Site: www.metro.com

INSTRUCTIONS
FOR USE
Bulk Wine Shelving Unit

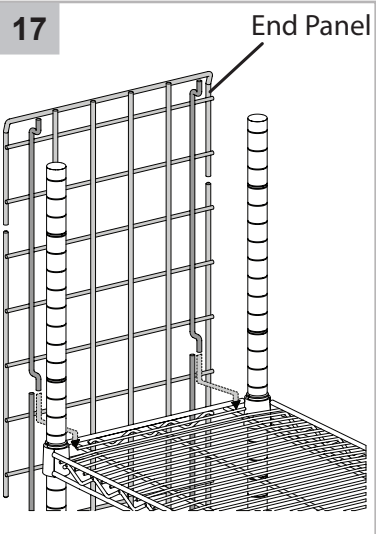
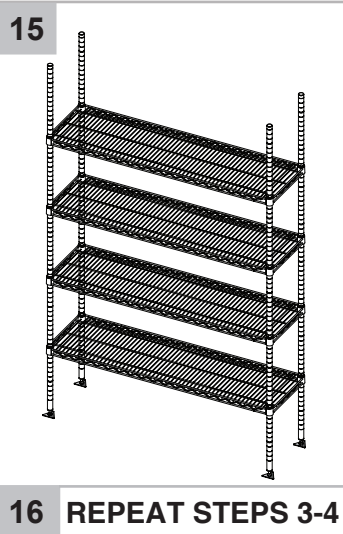
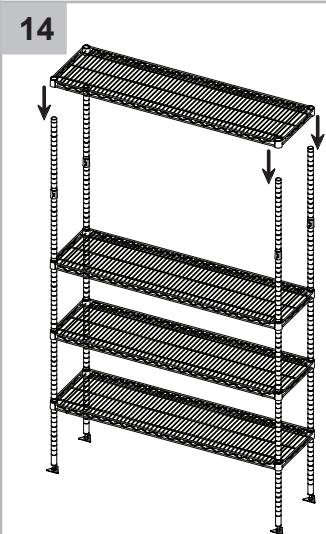
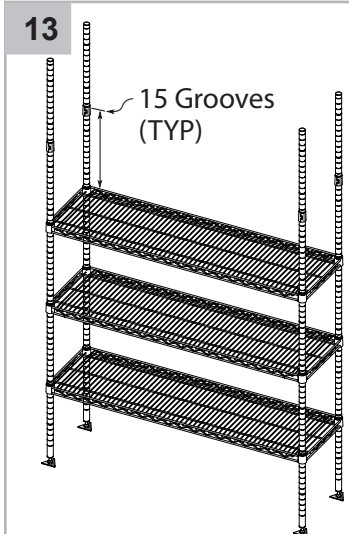
Bulk Wine Shelving Unit

INSTRUCTIONS FOR USE -
MODELS WB237C, WB257C,
WB238C & WB258C
Two People Required to Assemble Unit.

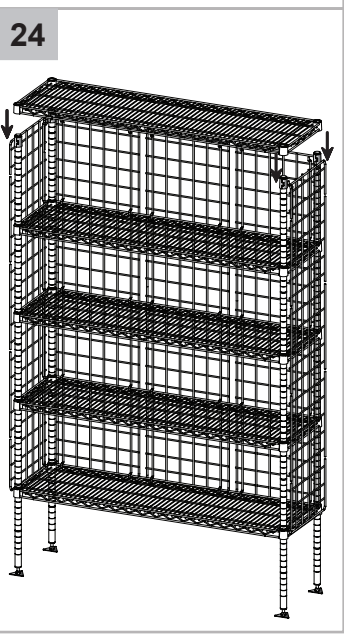
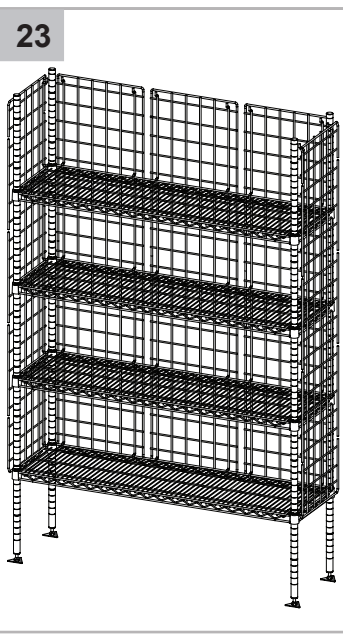
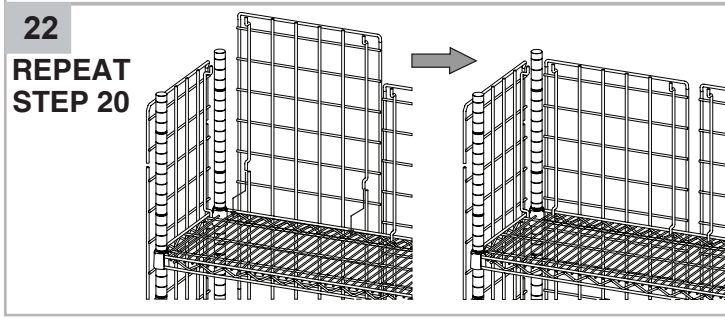
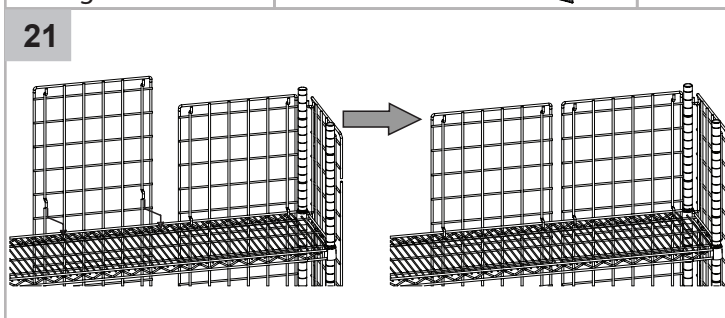
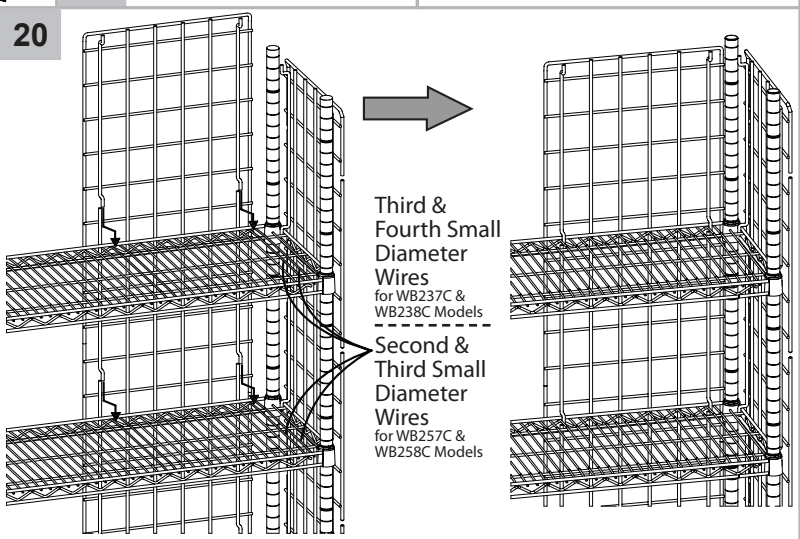
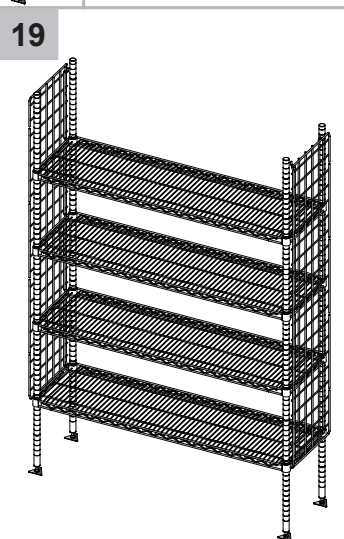
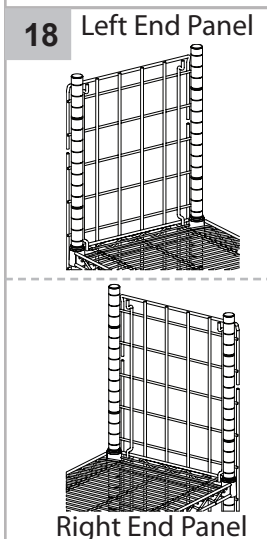


8 REPEAT STEPS 3-4

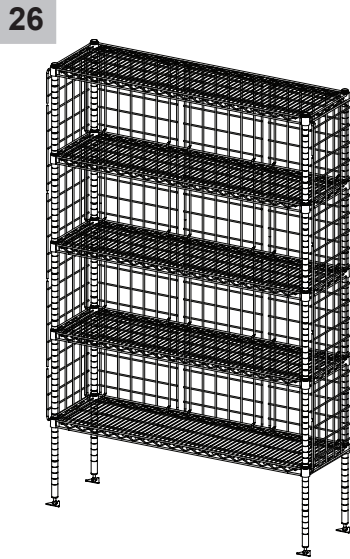
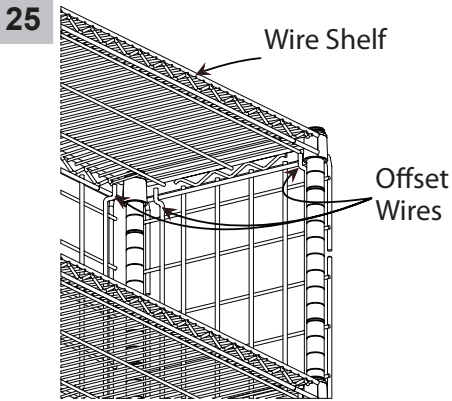
12 REPEAT STEPS 3-4



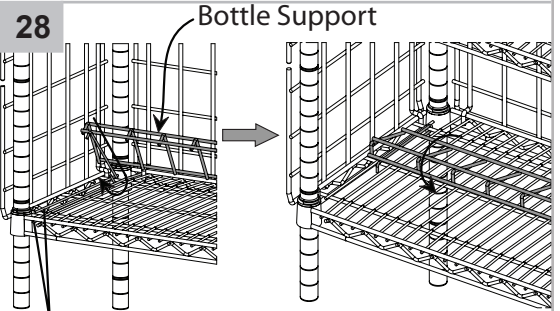
16 REPEAT STEPS 3-4



Bulk Wine Shelving Unit

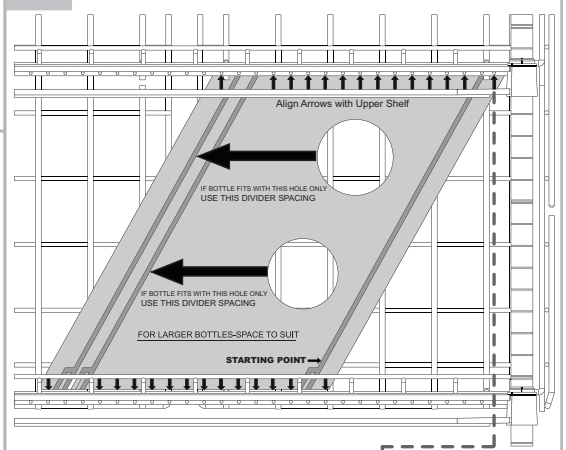


27 REPEAT STEPS 3-4

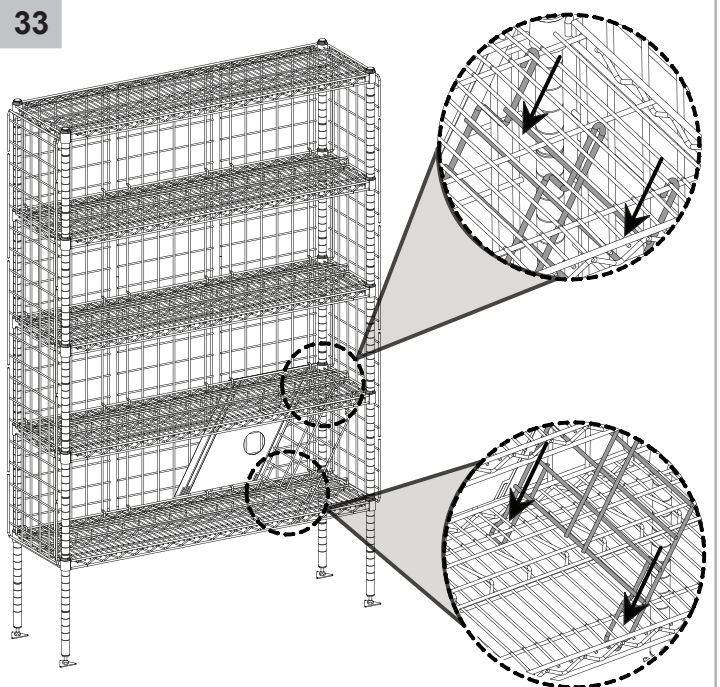
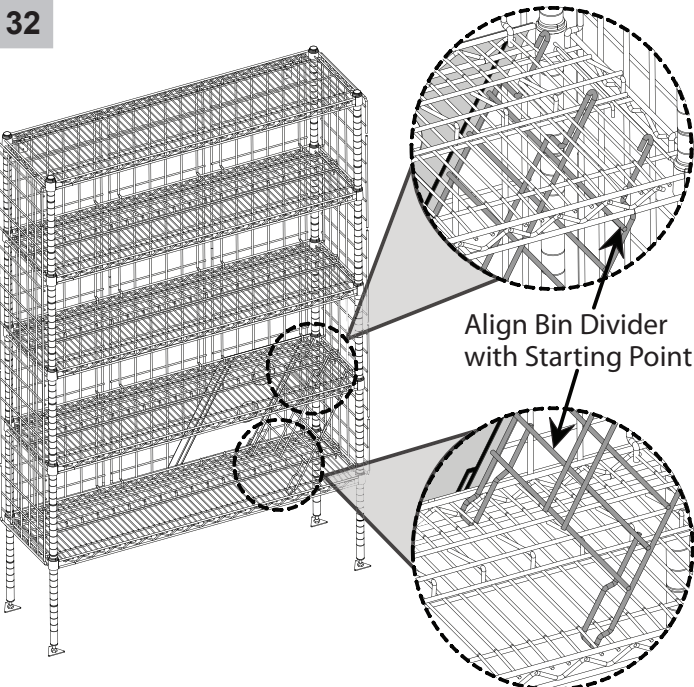
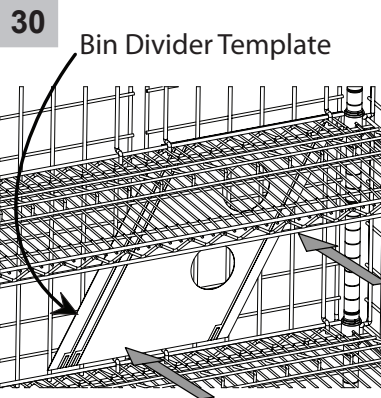
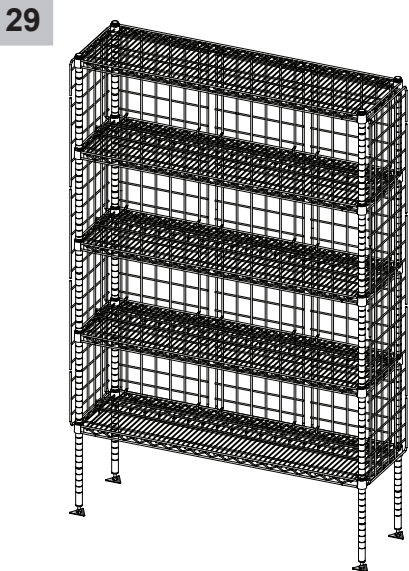


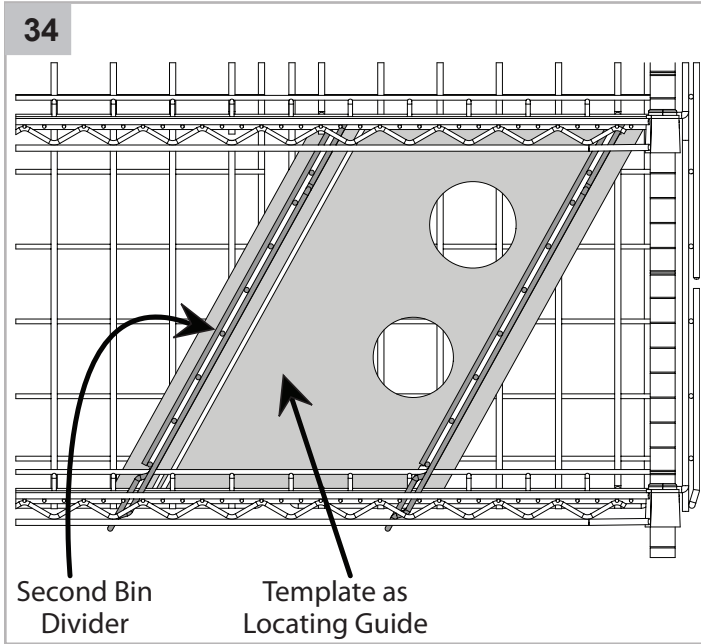
Second & Third Small Diameter Wires

31 Snakes of Shelf are Not Shown For Clarity



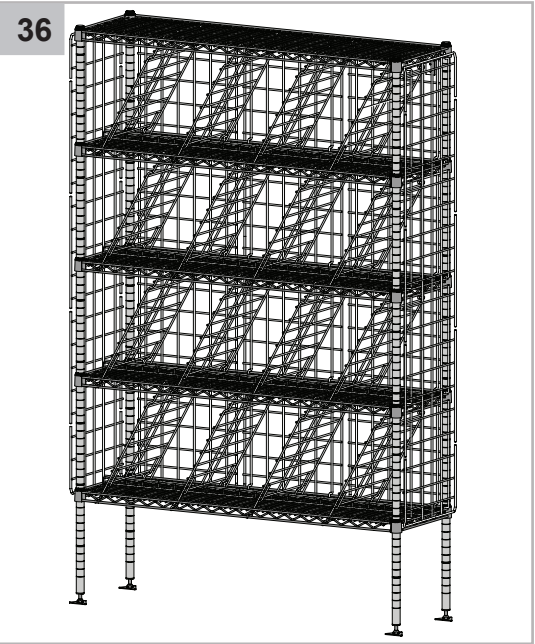
Align First Arrow of Template with Second Smaller Diameter Wire of Shelf





35

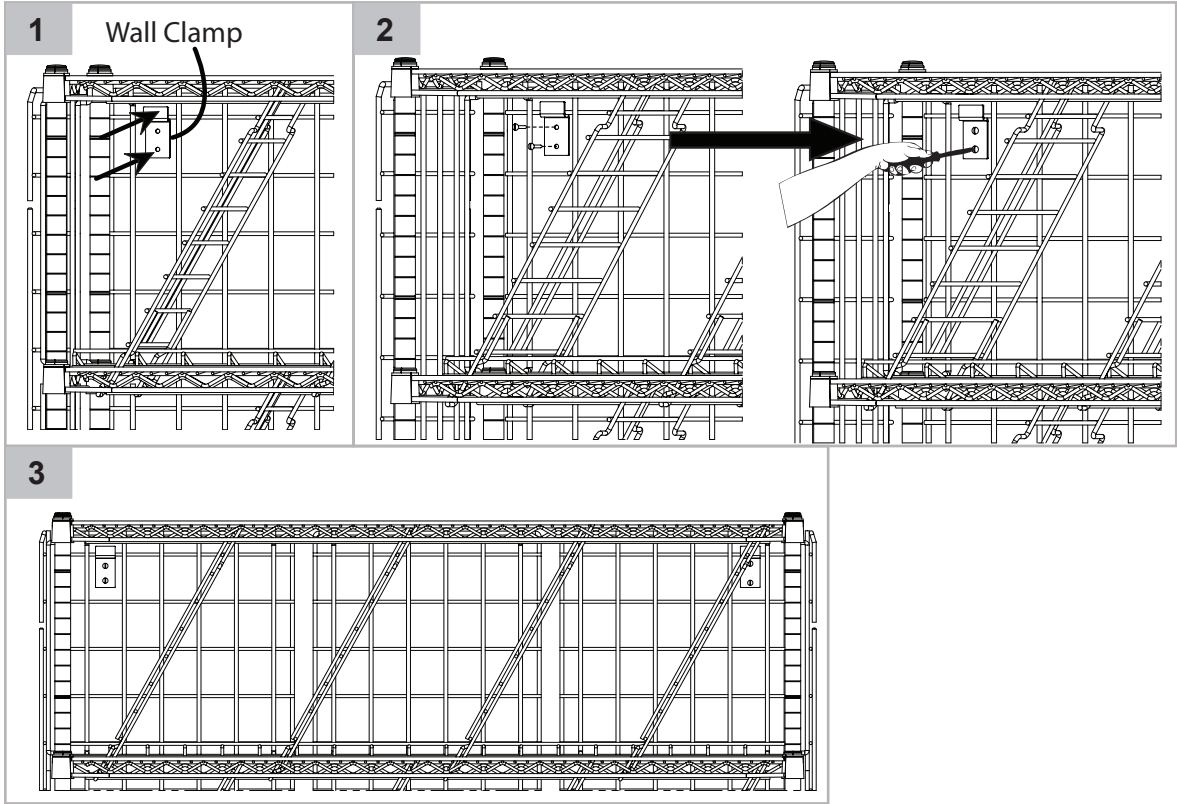
**REPEAT
STEPS
30 - 34 FOR
INSTALLING
OTHER
DIVIDER
BINS**



THIS COMPLETES THE ASSEMBLY OF
BULK WINE SHELVING UNIT

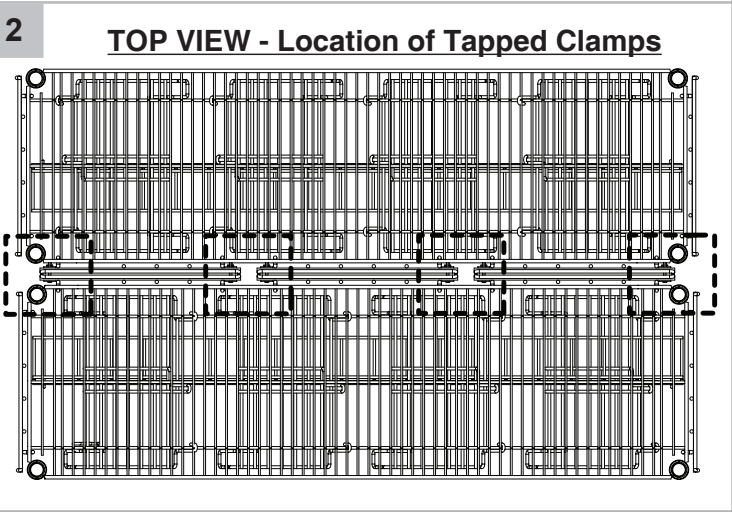
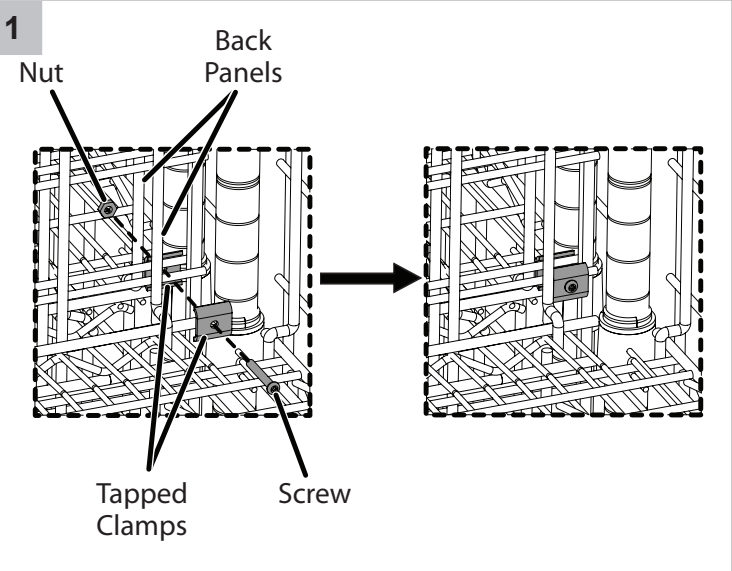
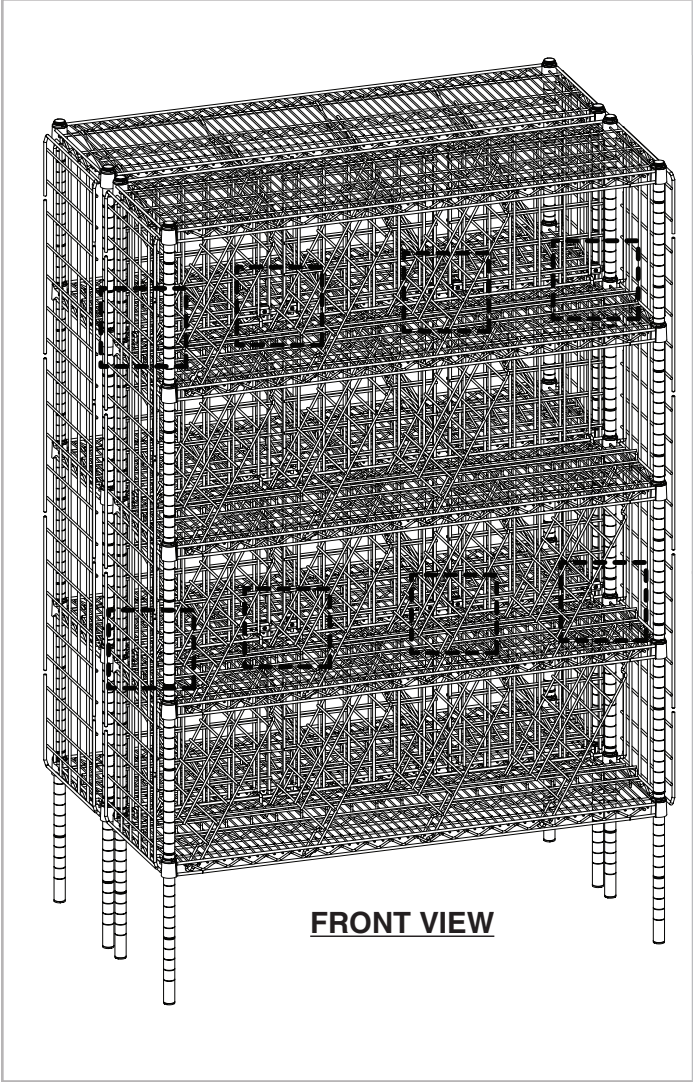
ACCESSORIES

WALL CLAMP



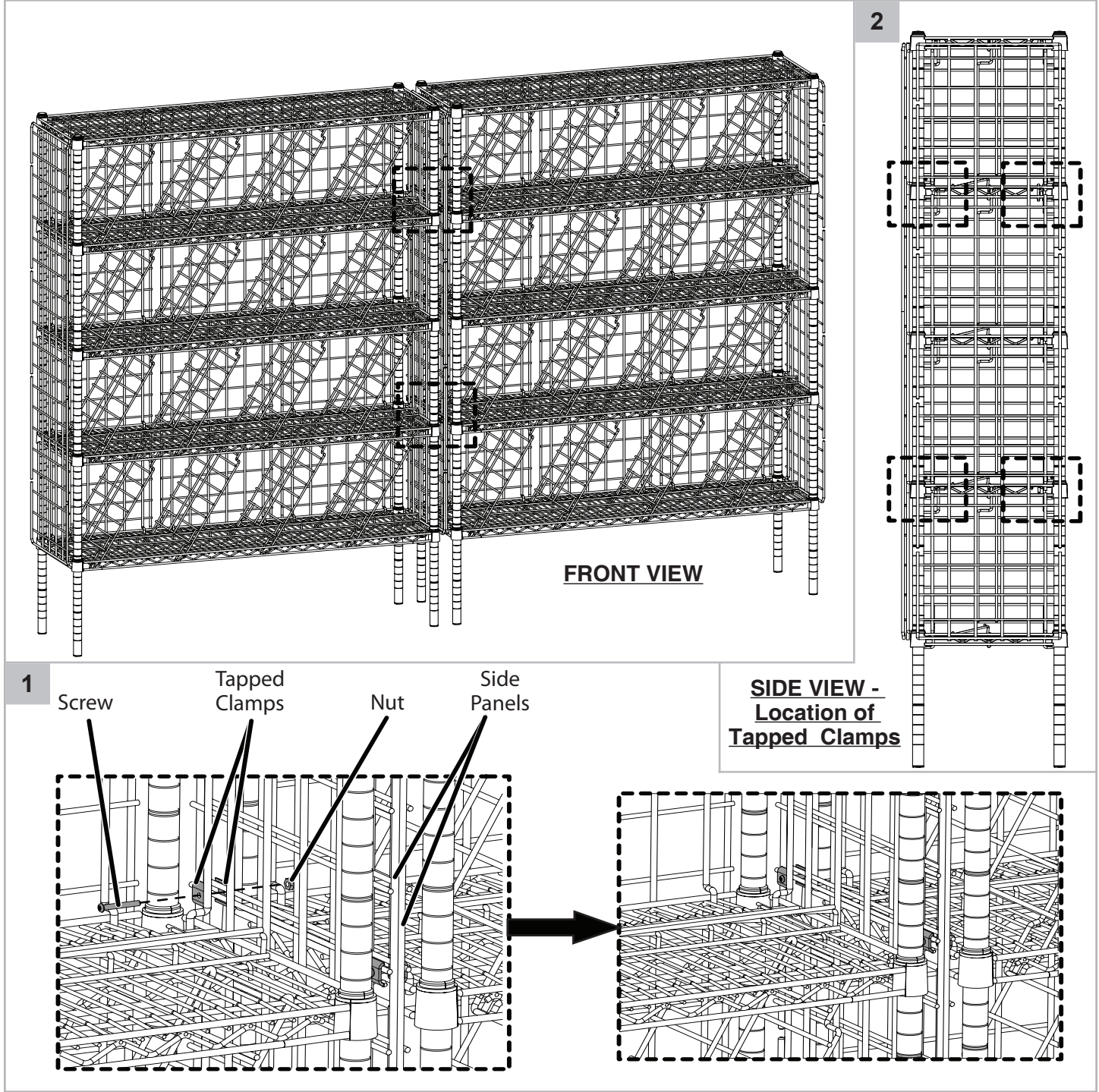
Bulk Wine Shelving Unit

TAPPED CLAMPS (Two Units Back to Back)



THIS COMPLETES THE ASSEMBLY OF BACK TO BACK BULK WINE SHELVING UNITS

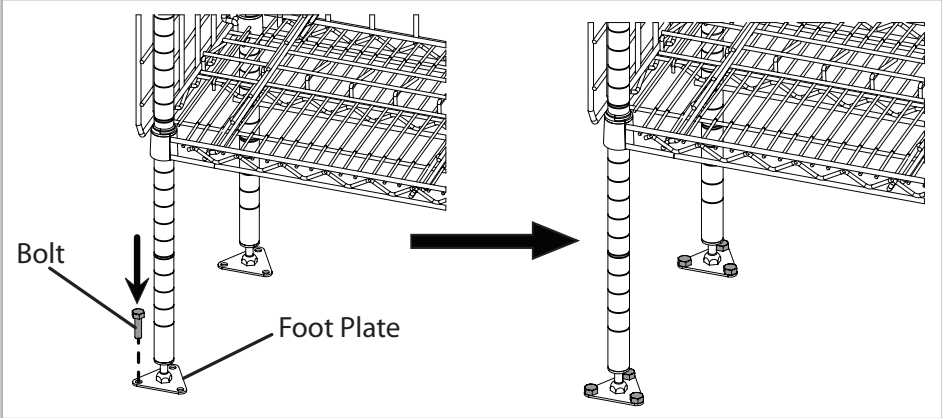
Two Units End to End



THIS COMPLETES THE ASSEMBLY OF END TO END BULK WINE SHELVING UNITS

Bulk Wine Shelving Unit

FOOT PLATE



* Save this document for future application, load rating and/or safety reference.



InterMetro Industries Corporation
North Washington Street, Wilkes-Barre, PA USA 18705
For Product Information Call: 1-800-992-1776
Visit Our Web Site: www.metro.com

L01-081
Rev. A
05/11
Information and specifications are subject to change without notice. Please confirm at time of order.