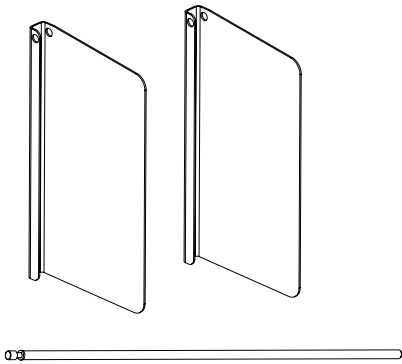


DISH CART DIVIDER SYSTEM

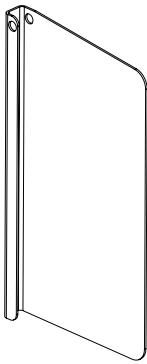


List of components for assembly of Divider system



A110

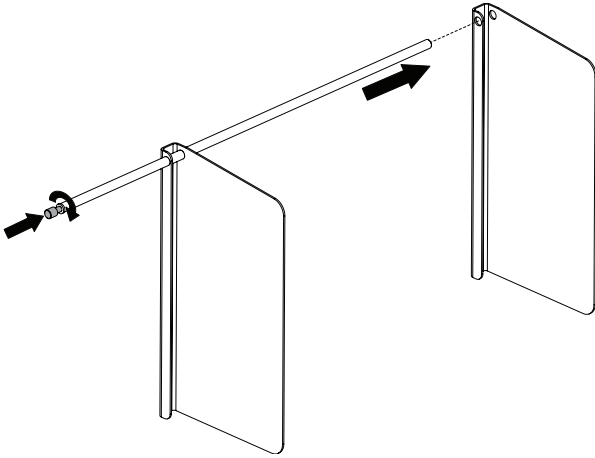
Item	Description	Qty.
A.	Divider Rod	1
B.	Divider	2



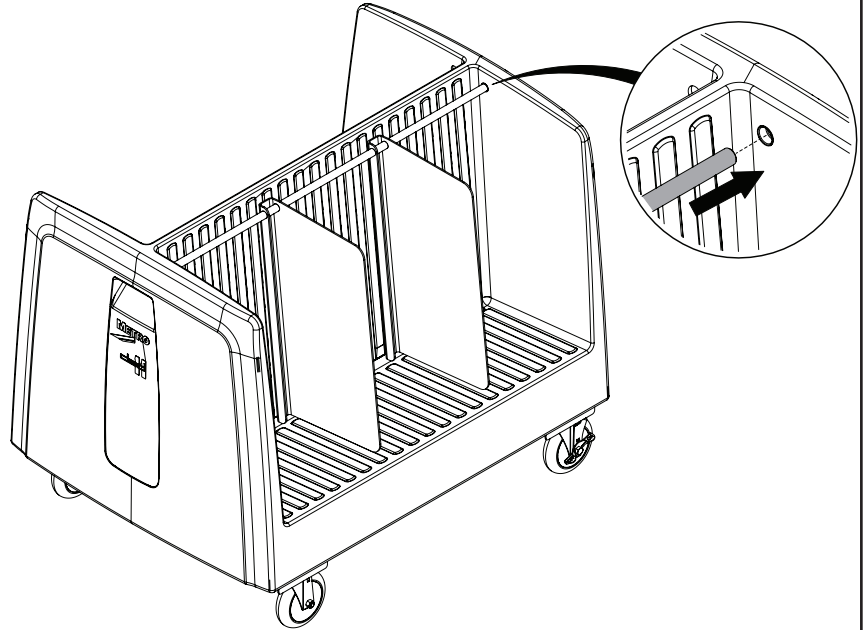
A115

Item	Description	Qty.
A.	Divider	Varies

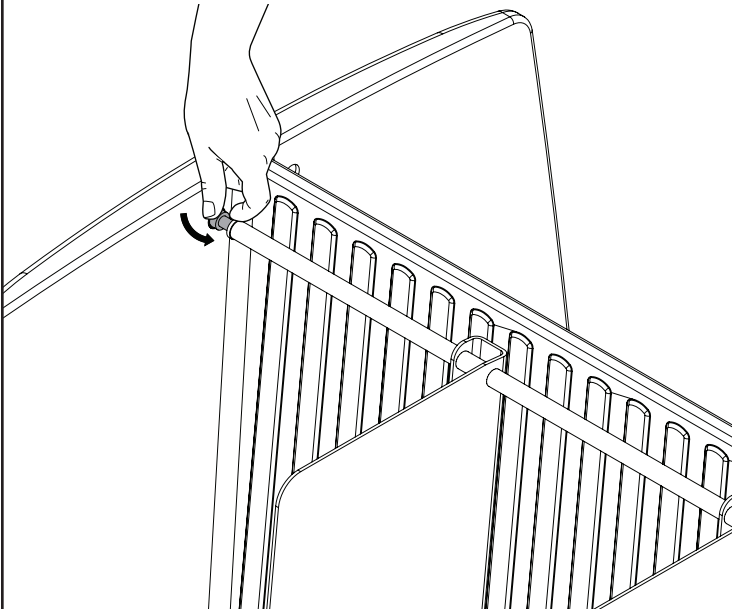
A Slip the divider panels onto the divider rod and turn the black adjusting bolt all the way into the rod.



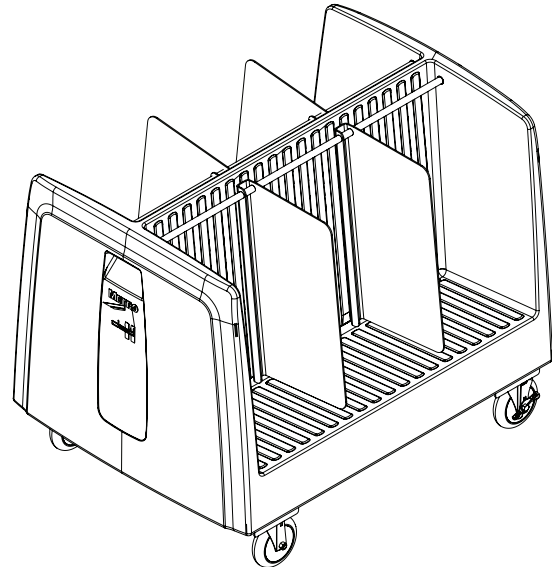
B After all the divider panels are hung on the divider rod, fit the end of the rod with the cap into the black hole plug on the side of the cart.



C Turn the adjusting bolt out until it fits fully into the side wall plug. Slide the divider panels to the required locations and load the cart.



D To add additional divider panels, turn the adjusting bolt all the way into the divider rod and remove the divider assembly. Slip on the additional divider panels and follow step B and C.



THIS COMPLETES ASSEMBLY OF DISH CART DIVIDER SYSTEM



We put space to work.